



IO-Link adapter element, black, for 5 signaling elements, 24 V DC, diameter 70 mm

product designation	IO-Link adapter element
General technical data	
material	PC
color	black
outer diameter of the signal column element	70 mm
degree of pollution	3
consumed current maximum	6 mA
protection class IP	IP65
reference code according to IEC 81346-2	B
Substance Prohibitance (day/month/year)	07/01/2006
SVHC substance name	Lead CAS-No. 7439-92-1
Net Weight	0.081 kg
type of voltage of the operating voltage	DC
operating voltage 1 at DC rated value	24 V
relative positive tolerance of the operating voltage	10 %
relative negative tolerance of the operating voltage	-15 %
Communication/ Protocol	
protocol is supported	Yes
• IO-Link protocol	Yes
IO-Link transfer rate	COM2 (38,4 kBaud)
point-to-point cycle time between master and IO-Link device minimum	10 ms
type of voltage supply via input/output link master	Yes
data volume	
• of the address range of the inputs with cyclical transfer total	3 byte
• of the address range of the outputs with cyclical transfer total	1 byte
Inputs/ Outputs	
number of digital inputs/outputs	0
number of digital inputs	0
• safety-related	0
Safety related data	
MTTFd	1 837 a
Ambient conditions	
ambient temperature during operation	-20 ... +50 °C
Installation/ mounting/ dimensions	
fastening method	Bayonet
height	66 mm

Approvals Certificates

Environment

General Product Approval

[Environmental Confirmations](#)



[Confirmation](#)



General Product Approval

other



[Confirmation](#)

[Confirmation](#)



Further information

Information on the packaging

<https://support.industry.siemens.com/cs/ww/en/view/109813875>

Information for data generation and storage

<https://support.industry.siemens.com/cs/ww/en/view/109995012>

Information- and Downloadcenter (Catalogs, Brochures,...)

<https://www.siemens.com/ic10>

Industry Mall (Online ordering system)

<https://mall.industry.siemens.com/mall/en/en/Catalog/product?mlfb=8WD4428-0BF>

Cax online generator

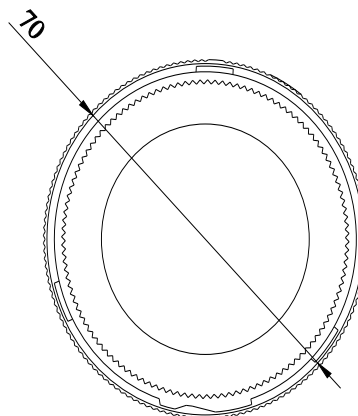
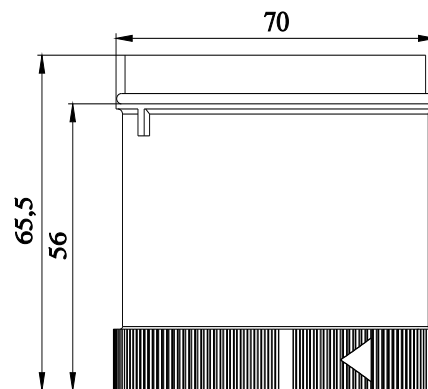
<https://support.automation.siemens.com/WW/CAXorder/default.aspx?lang=en&mlfb=8WD4428-0BF>

Service&Support (Manuals, Certificates, Characteristics, FAQs,...)

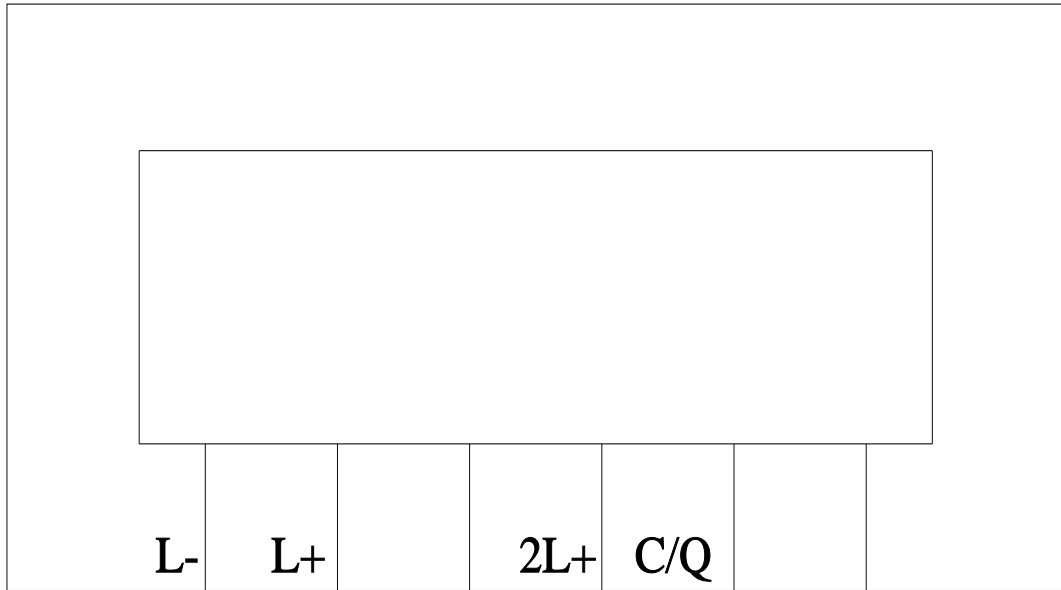
<https://support.industry.siemens.com/cs/ww/en/ps/8WD4428-0BF>

Image database (product images, 2D dimension drawings, 3D models, device circuit diagrams, EPLAN macros, ...)

https://www.automation.siemens.com/bilddb/cax_de.aspx?mlfb=8WD4428-0BF&lang=en



-B



last modified:

4/1/2025 