



adjustable-angle foot, plastic, for pipe mounting, with rubber seal, accessories for signaling columns, with 50 mm and 70 mm diameter

product brand name	SIRIUS
product designation	Adjustable-angle foot
<b>General technical data</b>	
reference code according to EN 61346-2	U
<b>Enclosure</b>	
height	117 mm
width	77 mm
depth	71 mm
material	PA
color	black
fastening method	mounting on pipes
protection class IP	IP65
<b>Ambient conditions</b>	
ambient temperature during operation	-20 ... +50 °C
<b>Approvals Certificates</b>	
General Product Approval	other



[Confirmation](#)



EG-Konf.



[Confirmation](#)

[Confirmation](#)

other	Environment
-------	-------------

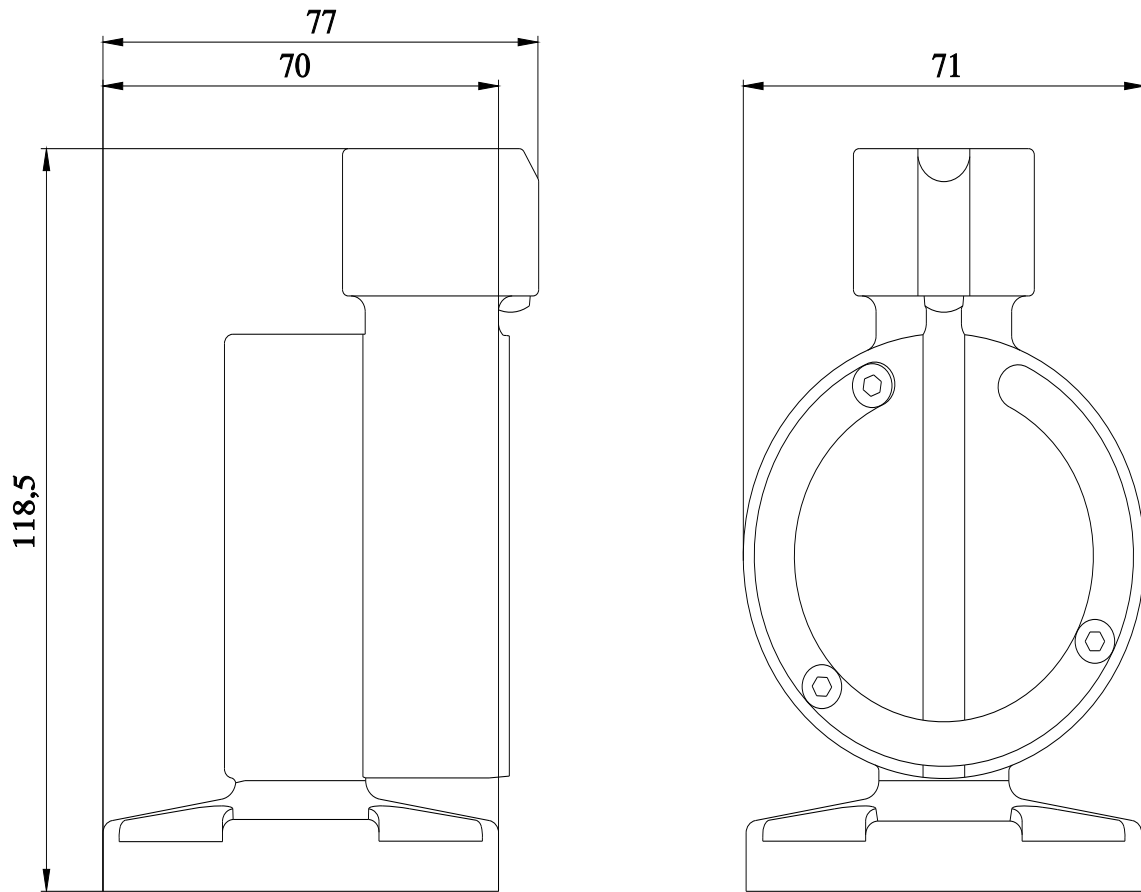


[Environmental Confirmations](#)



**Further information**

- Information on the packaging  
<https://support.industry.siemens.com/cs/ww/en/view/109813875>
- Information for data generation and storage  
<https://support.industry.siemens.com/cs/ww/en/view/109995012>
- Information- and Downloadcenter (Catalogs, Brochures,...)  
<https://www.siemens.com/ic10>
- Industry Mall (Online ordering system)  
<https://mall.industry.siemens.com/mall/en/en/Catalog/product?mlfb=8WD4408-0DF>
- Cax online generator  
<https://support.automation.siemens.com/WW/CAXorder/default.aspx?lang=en&mlfb=8WD4408-0DF>
- Service&Support (Manuals, Certificates, Characteristics, FAQs,...)  
<https://support.industry.siemens.com/cs/ww/en/ps/8WD4408-0DF>



last modified:

4/1/2025 