



Connection element, with M12 connector 5-pole, with end cover, black, for pipe mounting, with spring-type terminal

product brand name	SIRIUS
product designation	Connection element
design of the product	for floor and bracket mounting,
General technical data	
type of voltage of the operating voltage	AC/DC
operating voltage	
• at DC rated value	12 ... 24 V
• 1 at DC rated value	24 V
• at AC at 50 Hz rated value	12 ... 24 V
• at AC at 60 Hz rated value	12 ... 24 V
reference code according to EN 61346-2	X
Enclosure	
height	56.5 mm
outer diameter of the signal column element	70 mm
material	PA
color	black
fastening method	Floor/bracket mounting
protection class IP	IP65
Ambient conditions	
ambient temperature during operation	-20 ... +50 °C

Approvals Certificates

General Product Approval	other
--------------------------	-------



[Confirmation](#)



[Confirmation](#)

other	Environment
-------	-------------

[Confirmation](#)



[Environmental Confirmations](#)



Further information

Information on the packaging
<https://support.industry.siemens.com/cs/ww/en/view/109813875>
 Information for data generation and storage
<https://support.industry.siemens.com/cs/ww/en/view/109995012>

Information- and Downloadcenter (Catalogs, Brochures,...)

<https://www.siemens.com/ic10>

Industry Mall (Online ordering system)

<https://mall.industry.siemens.com/mall/en/en/Catalog/product?mlfb=8WD4408-0AF>

Cax online generator

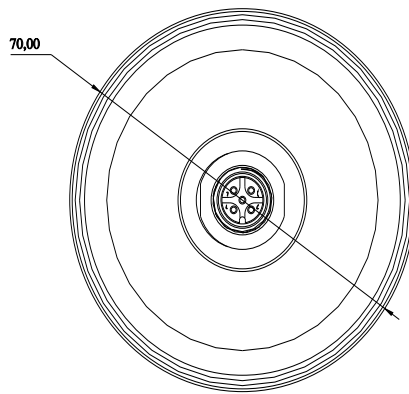
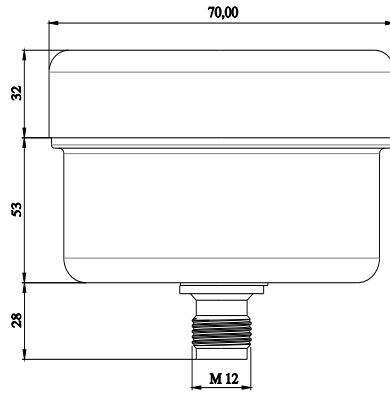
<https://support.automation.siemens.com/WW/CAXorder/default.aspx?lang=en&mlfb=8WD4408-0AF>

Service&Support (Manuals, Certificates, Characteristics, FAQs,...)

<https://support.industry.siemens.com/cs/ww/en/ps/8WD4408-0AF>

Image database (product images, 2D dimension drawings, 3D models, device circuit diagrams, EPLAN macros, ...)

https://www.automation.siemens.com/bilddb/cax_de.aspx?mlfb=8WD4408-0AF&lang=en



last modified:

4/1/2025 