

Connection element, with end cover, black, for floor/angle mounting, with spring-type terminal,



product brand name	SIRIUS
product designation	Connection element
design of the product	for floor and bracket mounting,
General technical data	
reference code according to EN 61346-2	X
Enclosure	
height	42.5 mm
width	70 mm
outer diameter of the signal column element	70 mm
material	PA
color	black
fastening method	Floor/bracket mounting
protection class IP	IP65
type of electrical connection	spring-loaded terminals
Ambient conditions	
ambient temperature during operation	-20 ... +50 °C
Approvals Certificates	
General Product Approval	other



[Confirmation](#)



[Confirmation](#)

other

Environment

[Confirmation](#)



[Environmental Con-
firmations](#)



Further information

- Information on the packaging
<https://support.industry.siemens.com/cs/ww/en/view/109813875>
- Information for data generation and storage
<https://support.industry.siemens.com/cs/ww/en/view/109995012>
- Information- and Downloadcenter (Catalogs, Brochures,...)
<https://www.siemens.com/ic10>
- Industry Mall (Online ordering system)
<https://mall.industry.siemens.com/mall/en/en/Catalog/product?mlfb=8WD4408-0AE>
- Cax online generator

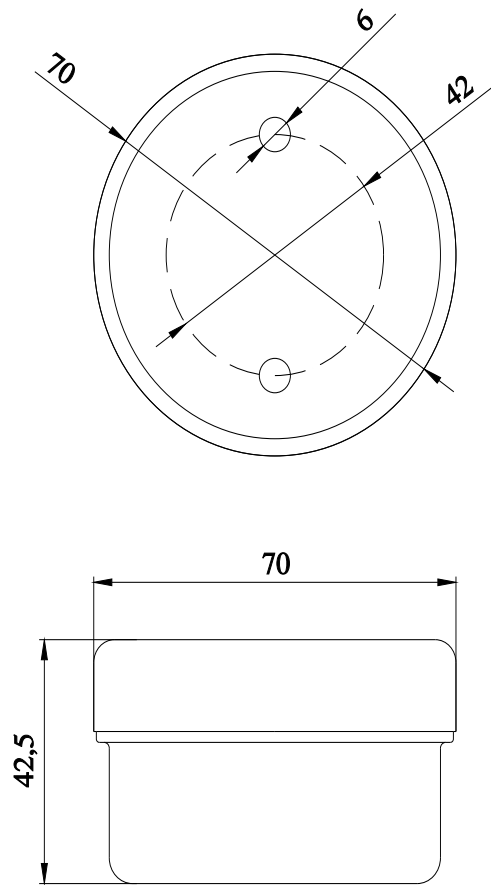
<https://support.automation.siemens.com/WW/CAXorder/default.aspx?lang=en&mlfb=8WD4408-0AE>

Service&Support (Manuals, Certificates, Characteristics, FAQs,...)

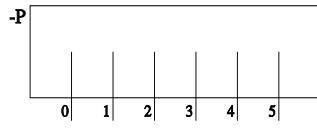
<https://support.industry.siemens.com/cs/ww/en/ps/8WD4408-0AE>

Image database (product images, 2D dimension drawings, 3D models, device circuit diagrams, EPLAN macros, ...)

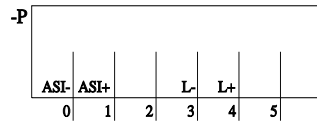
https://www.automation.siemens.com/bilddb/cax_de.aspx?mlfb=8WD4408-0AE&lang=en



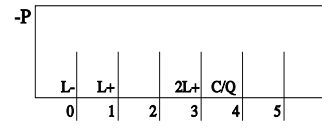
Standard



ASI



IO-Link



last modified:

4/1/2025 