

Connection element, with end cover, black, for floor/angle mounting, with screw terminal,



product brand name	SIRIUS
product designation	Connection element
design of the product	for floor and bracket mounting,
General technical data	
reference code according to EN 61346-2	X
Enclosure	
height	42.5 mm
width	70 mm
outer diameter of the signal column element	70 mm
material	PA
color	black
fastening method	Floor/bracket mounting
protection class IP	IP65
type of electrical connection	screw terminal
tightening torque with screw-type terminals	0.4 N·m
Ambient conditions	
ambient temperature during operation	-20 ... +50 °C
Approvals Certificates	
General Product Approval	other



[Confirmation](#)



[Confirmation](#)

other

Environment

[Confirmation](#)



[Environmental Con-
firmations](#)



Further information

- Information on the packaging
<https://support.industry.siemens.com/cs/ww/en/view/109813875>
- Information for data generation and storage
<https://support.industry.siemens.com/cs/ww/en/view/109995012>
- Information- and Downloadcenter (Catalogs, Brochures,...)
<https://www.siemens.com/ic10>
- Industry Mall (Online ordering system)
<https://mall.industry.siemens.com/mall/en/en/Catalog/product?mifb=8WD4408-0AB>

Cax online generator

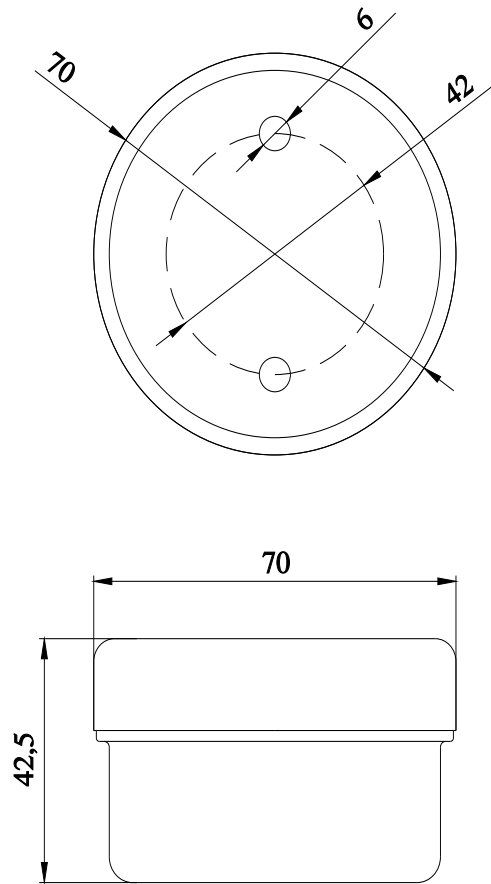
<https://support.automation.siemens.com/WW/CAXorder/default.aspx?lang=en&mlfb=8WD4408-0AB>

Service&Support (Manuals, Certificates, Characteristics, FAQs,...)

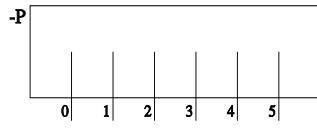
<https://support.industry.siemens.com/cs/ww/en/ps/8WD4408-0AB>

Image database (product images, 2D dimension drawings, 3D models, device circuit diagrams, EPLAN macros, ...)

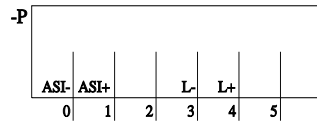
https://www.automation.siemens.com/bilddb/cax_de.aspx?mlfb=8WD4408-0AB&lang=en



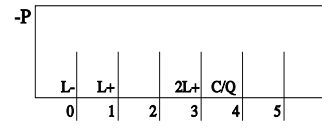
Standard



ASI



IO-Link



last modified:

4/1/2025 