

foot individually, plastic, for pipe mounting, accessory for signaling columns, with diameter 70 mm



product brand name	SIRIUS
product designation	Foot for mounting on pipes
General technical data	
reference code according to EN 61346-2	U
Enclosure	
height	37 mm
width	70 mm
material	PA
color	black
fastening method	floor mounting
Ambient conditions	
ambient temperature during operation	-20 ... +50 °C
Approvals Certificates	
General Product Approval	Maritime application



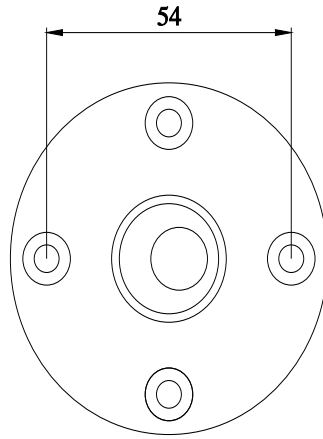
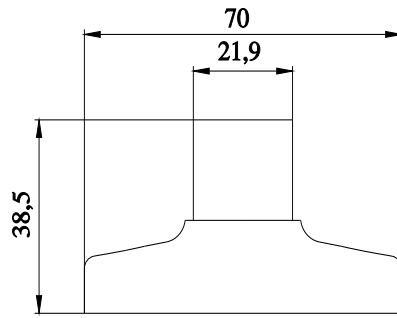
[Confirmation](#)



other	Environment
<p>Confirmation</p> <p>Confirmation</p> 	<p>Environmental Confirmations</p> 

Further information

- Information on the packaging
<https://support.industry.siemens.com/cs/ww/en/view/109813875>
- Information for data generation and storage
<https://support.industry.siemens.com/cs/ww/en/view/109995012>
- Information- and Downloadcenter (Catalogs, Brochures,...)
<https://www.siemens.com/ic10>
- Industry Mall (Online ordering system)
<https://mall.industry.siemens.com/mall/en/en/Catalog/product?mlfb=8WD4308-0DB>
- Cax online generator
<https://support.automation.siemens.com/WW/CAXorder/default.aspx?lang=en&mlfb=8WD4308-0DB>
- Service&Support (Manuals, Certificates, Characteristics, FAQs,...)
<https://support.industry.siemens.com/cs/ww/en/ps/8WD4308-0DB>
- Image database (product images, 2D dimension drawings, 3D models, device circuit diagrams, EPLAN macros, ...)
https://www.automation.siemens.com/bilddb/cax_de.aspx?mlfb=8WD4308-0DB&lang=en



last modified:

4/1/2025 