

Tension spring, greater than 35 N Made of steel for Cable-operated switch 3SE7



product brand name	SIRIUS
product category	Miscellaneous accessories
product designation	Spring
product type designation	3SE79

**General technical data**

Substance Prohibitation (day/month/year)	07/01/2006
Net Weight	0.065 kg

**Approvals Certificates**

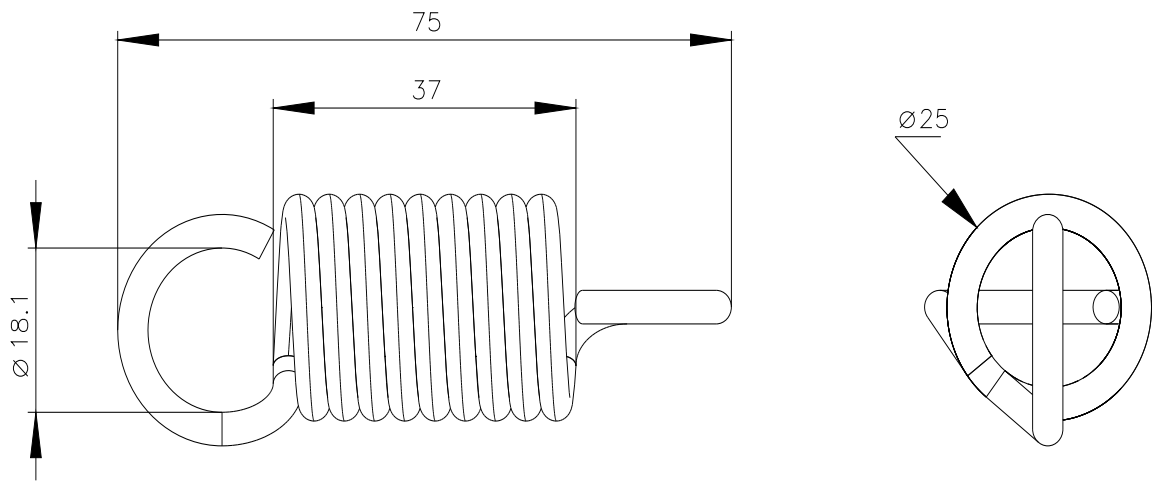
Environment	General Product Approval	other
<a href="#">Environmental Conformations</a> 	 <small>EG-Konf.</small>	
		<a href="#">Confirmation</a> <a href="#">Confirmation</a>

**other**



**Further information**

- Information on the packaging  
<https://support.industry.siemens.com/cs/ww/en/view/109813875>
- Information for data generation and storage  
<https://support.industry.siemens.com/cs/ww/en/view/109995012>
- Information- and Downloadcenter (Catalogs, Brochures,...)  
<https://www.siemens.com/ic10>
- Industry Mall (Online ordering system)  
<https://mall.industry.siemens.com/mall/en/en/Catalog/product?mlfb=3SE7931-1AE>
- Cax online generator  
<https://support.automation.siemens.com/WW/CAXorder/default.aspx?lang=en&mlfb=3SE7931-1AE>
- Service&Support (Manuals, Certificates, Characteristics, FAQs,...)  
<https://support.industry.siemens.com/cs/ww/en/ps/3SE7931-1AE>
- Image database (product images, 2D dimension drawings, 3D models, device circuit diagrams, EPLAN macros, ...)  
[https://www.automation.siemens.com/bilddb/cax\\_de.aspx?mlfb=3SE7931-1AE&lang=en](https://www.automation.siemens.com/bilddb/cax_de.aspx?mlfb=3SE7931-1AE&lang=en)



last modified:

10/22/2025 