




Solenoid, rectangular small 26 x 36 mm for magnetic switch 3SE66...-3CA0.
Position: offset from the contact block by 90° mounted

product brand name	SIRIUS	
product designation	Magnetically operated switch	
design of the product	coded magnet, rectangular	
product type designation	3SE67	
General technical data		
product feature	90° offset	
protection class IP	IP67	
Substance Prohibitance (day/month/year)	07/01/2006	
Net Weight	0.031 kg	
height of the sensor	36 mm	
length of the sensor	13 mm	
width of the sensor	26 mm	
Ambient conditions		
ambient temperature during operation	-25 ... +70 °C	
Enclosure		
material of the enclosure	plastic	
Installation/ mounting/ dimensions		
fastening method	screw fixing	
Approvals Certificates		
General Product Approval	EMV	other



[Confirmation](#)

other	Dangerous goods	Environment
Confirmation		Transport Information Environmental Confirmations

Further information

Information on the packaging
<https://support.industry.siemens.com/cs/ww/en/view/109813875>
 Information for data generation and storage
<https://support.industry.siemens.com/cs/ww/en/view/109995012>
 Information- and Downloadcenter (Catalogs, Brochures,...)
<https://www.siemens.com/ic10>

Industry Mall (Online ordering system)

<https://mall.industry.siemens.com/mall/en/en/Catalog/product?mlfb=3SE6724-3CA>

Cax online generator

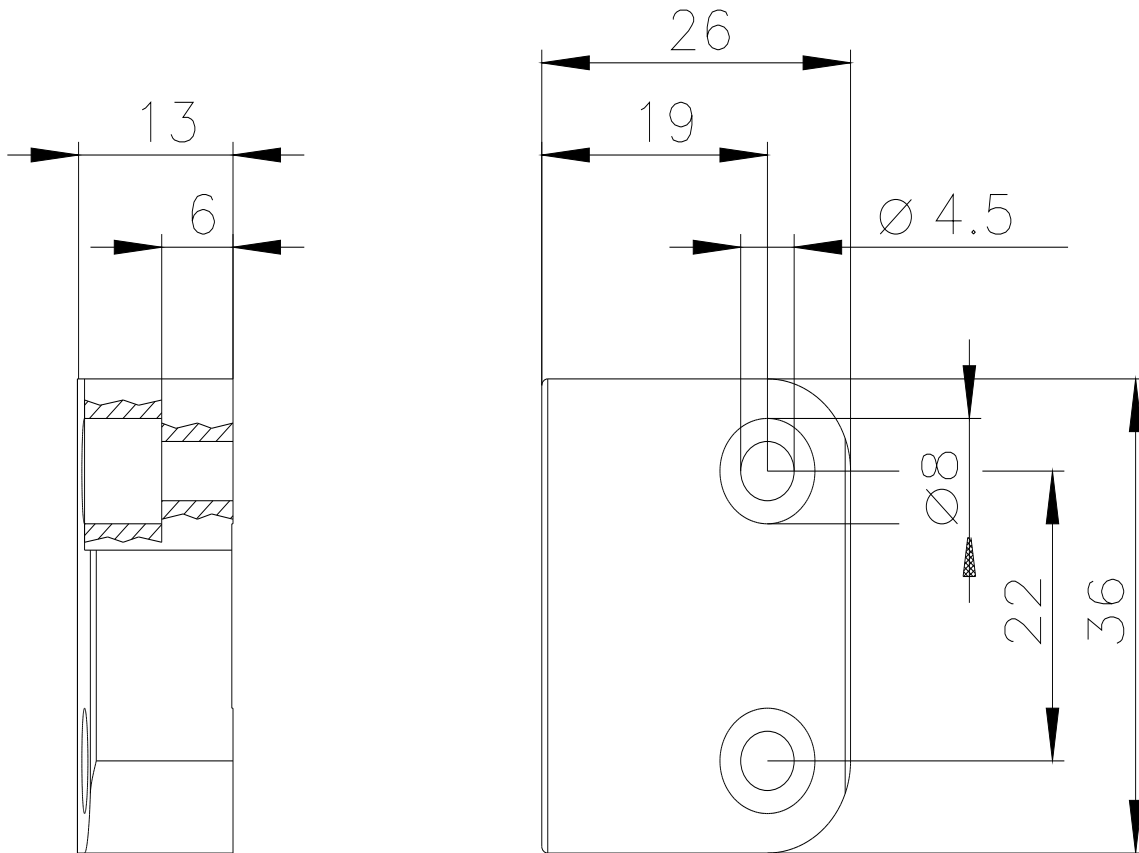
<https://support.automation.siemens.com/WW/CAXorder/default.aspx?lang=en&mlfb=3SE6724-3CA>

Service&Support (Manuals, Certificates, Characteristics, FAQs,...)

<https://support.industry.siemens.com/cs/ww/en/ps/3SE6724-3CA>

Image database (product images, 2D dimension drawings, 3D models, device circuit diagrams, EPLAN macros, ...)

https://www.automation.siemens.com/bilddb/cax_de.aspx?mlfb=3SE6724-3CA&lang=en



last modified:

5/8/2025 