



SENTRON, fuse holder, Class CC, 3-pole, In: 30 A, Un AC: 600 V, respect national installation rules!

Model	
product brand name	SENTRON
product designation	Fuse holder
General technical data	
number of poles	3
size of fuse link	Class CC
Supply voltage	
operating voltage	
• at AC rated value	600 V
protection class IP	IP20
Mechanical Design	
height	85 mm
width	54 mm
depth	65 mm
Net Weight	151.3 g
Certificates	
reference code according to IEC 81346-2	F
Approvals Certificates	
Environment	General Product Approval

[Environmental Confirmations](#)



[Confirmation](#)

General Product Approval	Test Certificates	other
 EG-Konf.		<p><a href="#">Miscellaneous</a></p> <p><a href="#">Confirmation</a></p>

**Further information**

Information on the packaging  
<https://support.industry.siemens.com/cs/ww/en/view/109813875>  
 Information for data generation and storage  
<https://support.industry.siemens.com/cs/ww/en/view/109995012>  
 Information- and Downloadcenter (Catalogs, Brochures,...)  
<https://www.siemens.com/lowvoltage/catalogs>  
 Industry Mall (Online ordering system)

<https://mall.industry.siemens.com/mall/en/en/Catalog/product?mlfb=3NW7533-0HG>

Service&Support (Manuals, Certificates, Characteristics, FAQs,...)

<https://support.industry.siemens.com/cs/ww/en/ps/3NW7533-0HG>

Image database (product images, 2D dimension drawings, 3D models, device circuit diagrams, ...)

[https://www.automation.siemens.com/bilddb/cax\\_en.aspx?mlfb=3NW7533-0HG](https://www.automation.siemens.com/bilddb/cax_en.aspx?mlfb=3NW7533-0HG)

CAX-Online-Generator

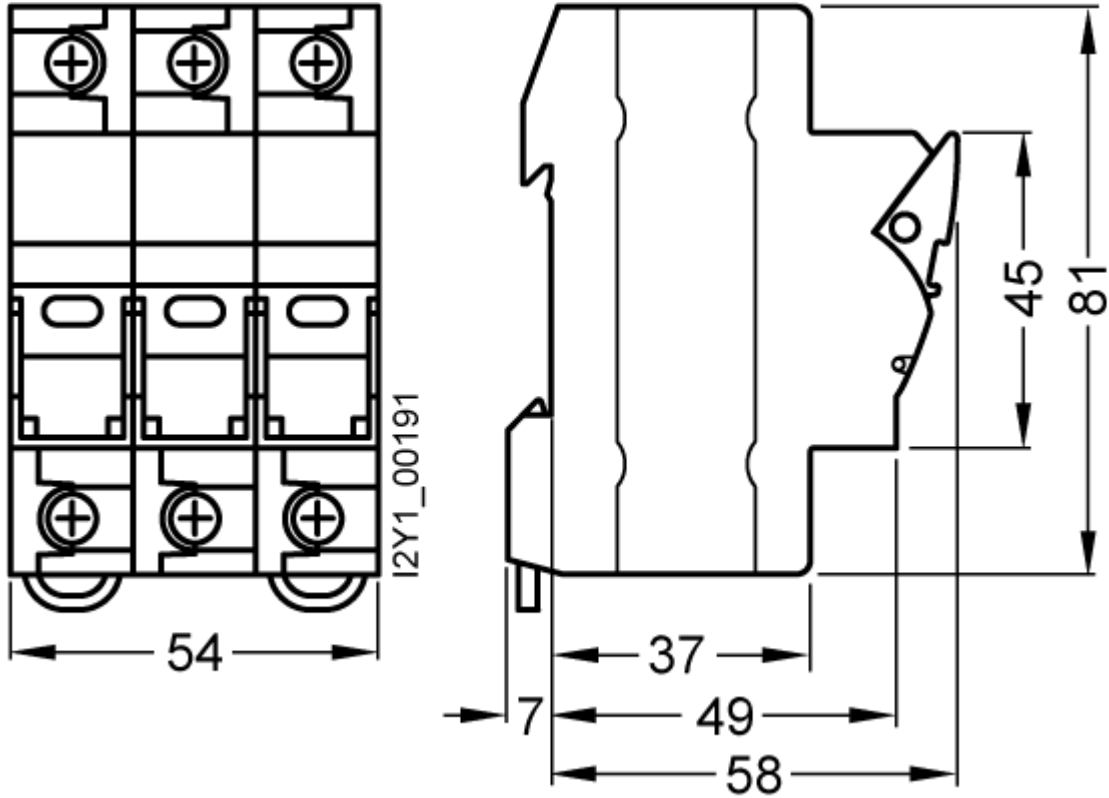
<https://www.siemens.com/cax>

Tender specifications

<https://www.siemens.com/specifications>

Characteristic curves

[https://curves.simaris.siemens.com/curves/<mmp\\_prod\\_noCOMP='HAUPT'></mmp\\_prod\\_no>](https://curves.simaris.siemens.com/curves/<mmp_prod_noCOMP='HAUPT'></mmp_prod_no>)





last modified:

4/11/2025 

