

SENTRON, fuse holder, Class J, 3-pole, In: 60 A, Un AC: 600 V, for mounting on DIN rail, respect national installation rules!



Model	
product brand name	SENTRON
product designation	Fuse holder
design of the product	Mounting on DIN rail
General technical data	
number of poles	3
size of fuse link	Class J
Supply voltage	
operating voltage	
• at AC rated value	600 V
protection class IP	IP20
Mechanical Design	
height	118 mm
width	120 mm
depth	82 mm
Net Weight	615 g
Certificates	
reference code according to IEC 81346-2	F

Approvals Certificates

Environment	General Product Approval	other
-------------	--------------------------	-------

[Environmental Confirmations](#)



[Confirmation](#)

[Confirmation](#)

other



Further information

- Information on the packaging <https://support.industry.siemens.com/cs/ww/en/view/109813875>
- Information for data generation and storage <https://support.industry.siemens.com/cs/ww/en/view/109995012>
- Information- and Downloadcenter (Catalogs, Brochures,...) <https://www.siemens.com/lowvoltage/catalogs>

Industry Mall (Online ordering system)

<https://mall.industry.siemens.com/mall/en/en/Catalog/product?mlfb=3NW7531-5HG>

Service&Support (Manuals, Certificates, Characteristics, FAQs,...)

<https://support.industry.siemens.com/cs/ww/en/ps/3NW7531-5HG>

Image database (product images, 2D dimension drawings, 3D models, device circuit diagrams, ...)

https://www.automation.siemens.com/bilddb/cax_en.aspx?mlfb=3NW7531-5HG

CAX-Online-Generator

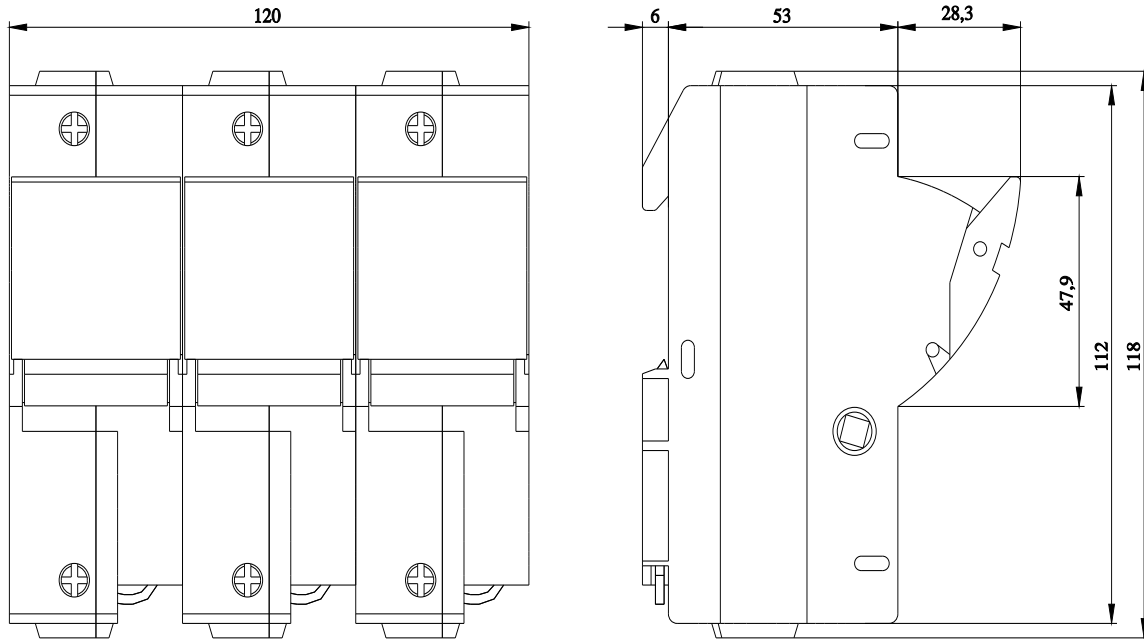
<https://www.siemens.com/cax>

Tender specifications

<https://www.siemens.com/specifications>

Characteristic curves

[https://curves.simarisiemens.com/curves/<mmp_prod_noCOMP="HAUPT"></mmp_prod_no>](https://curves.simarisiemens.com/curves/<mmp_prod_noCOMP=)



last modified:

4/11/2025 

