






NEOZED, fuse base, D02, 3-pole, 63 A, Un AC: 400 V, Un DC: 250 V without LED signal detector with frame terminal



Model	
product brand name	SENTRON
product designation	NEOZED fuse bases
design of the product	NEOZED fuse base installation
General technical data	
number of poles	3
size of fuse system according to EN 60269-1	D02
Supply voltage	
operating voltage rated value	400 V
Dissipation	
power loss [W] for rated value of the current at AC in hot operating state per pole	3 W
Main circuit	
operational current rated value	63 A
Product details	
product component cover	Yes
Mechanical Design	
height	67 mm
width	81 mm
depth	55 mm
fastening method	DIN rail
Net Weight	
material of D fuse base	plastic
Approvals Certificates	
Environment	General Product Approval
<a href="#">Environmental Confirmations</a>	<a href="#">Environmental Confirmations</a>
	
	<a href="#">Confirmation</a>
	
General Product Approval	other
	<a href="#">Confirmation</a>
	

## Further information

### Information on the packaging

<https://support.industry.siemens.com/cs/ww/en/view/109813875>

### Information for data generation and storage

<https://support.industry.siemens.com/cs/ww/en/view/109995012>

### Information- and Downloadcenter (Catalogs, Brochures,...)

<https://www.siemens.com/lowvoltage/catalogs>

### Industry Mall (Online ordering system)

<https://mall.industry.siemens.com/mall/en/en/Catalog/product?mlfb=5SG5702>

### Service&Support (Manuals, Certificates, Characteristics, FAQs,...)

<https://support.industry.siemens.com/cs/ww/en/ps/5SG5702>

### Image database (product images, 2D dimension drawings, 3D models, device circuit diagrams, ...)

[https://www.automation.siemens.com/bilddb/cax\\_en.aspx?mlfb=5SG5702](https://www.automation.siemens.com/bilddb/cax_en.aspx?mlfb=5SG5702)

### CAX-Online-Generator

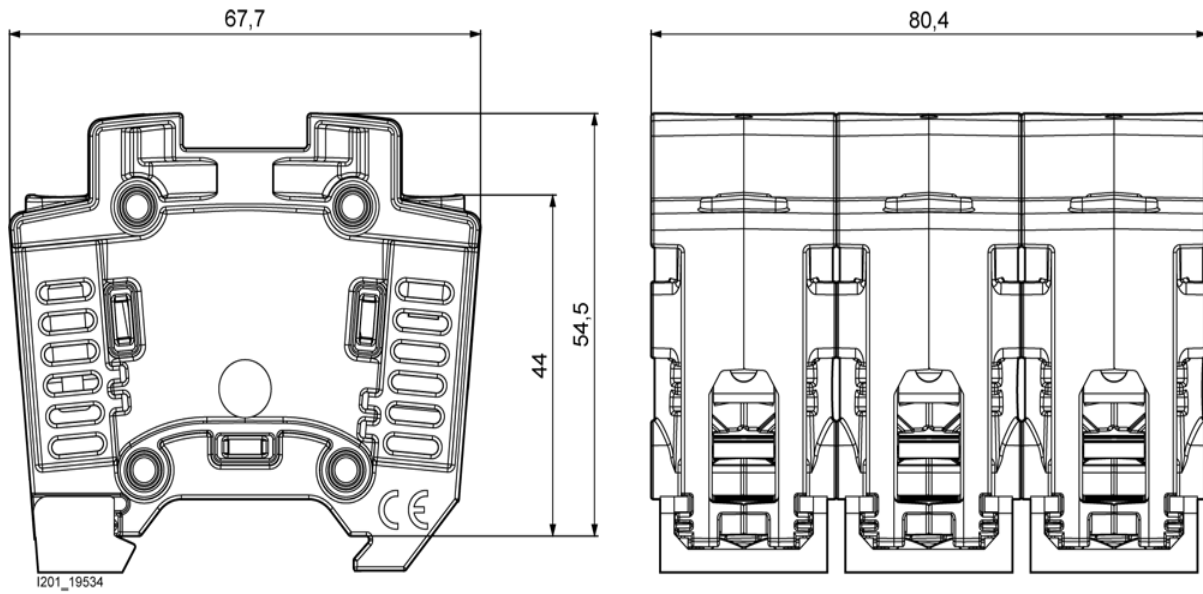
<https://www.siemens.com/cax>

### Tender specifications

<https://www.siemens.com/specifications>

### Characteristic curves

[https://curves.simarisiemens.com/curves/<mmp\\_prod\\_noCOMP="HAUPT"></mmp\\_prod\\_no>](https://curves.simarisiemens.com/curves/<mmp_prod_noCOMP=)



last modified:

4/6/2026 

