



NEOZED, fuse base, D02, 1-pole, 63 A, Un AC: 400 V, Un DC: 250 V with LED signal detector with frame terminal

| Model | |
|---|-------------------------------|
| product brand name | SENTRON |
| product designation | NEOZED fuse bases |
| design of the product | NEOZED fuse base installation |
| General technical data | |
| number of poles | 1 |
| size of fuse system according to EN 60269-1 | D02 |
| Supply voltage | |
| operating voltage rated value | 400 V |
| Dissipation | |
| power loss [W] for rated value of the current at AC in hot operating state per pole | 1 W |
| Main circuit | |
| operational current rated value | 63 A |
| Product details | |
| product component cover | Yes |
| Mechanical Design | |
| height | 67 mm |
| width | 27 mm |
| depth | 55 mm |
| fastening method | DIN rail |
| Net Weight | |
| material of D fuse base | plastic |

| Approvals Certificates | |
|------------------------|--------------------------|
| Environment | General Product Approval |

[Environmental Con-
firmations](#)

[Environmental Con-
firmations](#)



[Confirmation](#)



| | |
|--------------------------|-------|
| General Product Approval | other |
|--------------------------|-------|



[Confirmation](#)



Further information

Information on the packaging

<https://support.industry.siemens.com/cs/ww/en/view/109813875>

Information for data generation and storage

<https://support.industry.siemens.com/cs/ww/en/view/109995012>

Information- and Downloadcenter (Catalogs, Brochures,...)

<https://www.siemens.com/lowvoltage/catalogs>

Industry Mall (Online ordering system)

<https://mall.industry.siemens.com/mall/en/en/Catalog/product?mlfb=5SG1702-1>

Service&Support (Manuals, Certificates, Characteristics, FAQs,...)

<https://support.industry.siemens.com/cs/ww/en/ps/5SG1702-1>

Image database (product images, 2D dimension drawings, 3D models, device circuit diagrams, ...)

https://www.automation.siemens.com/bilddb/cax_en.aspx?mlfb=5SG1702-1

CAX-Online-Generator

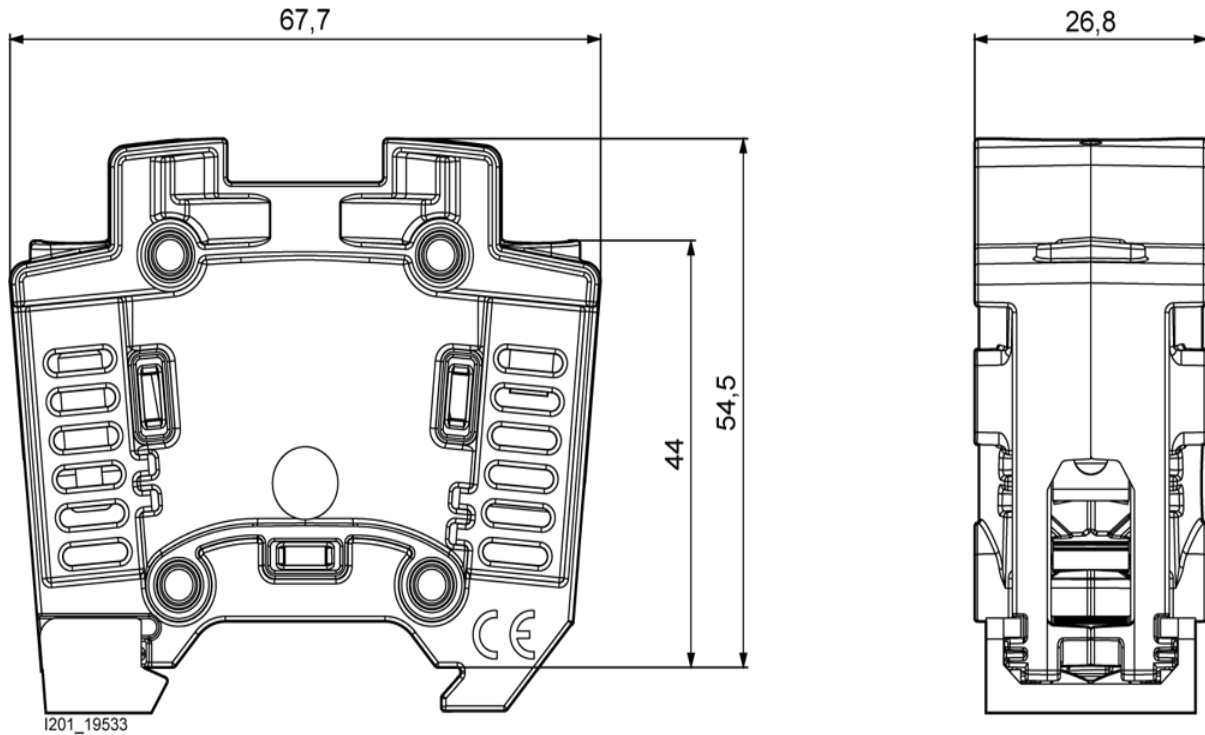
<https://www.siemens.com/cax>

Tender specifications

<https://www.siemens.com/specifications>

Characteristic curves

[https://curves.simaris.siemens.com/curves/<mmp_prod_noCOMP="HAUPT"></mmp_prod_no>](https://curves.simaris.siemens.com/curves/<mmp_prod_noCOMP=)



last modified:

4/6/2026

