

touch protection cover for 3RU21 on the infeed side Size S0 Main circuit: ring cable lug Connection Contactor overload relay



product brand name	SIRIUS
product category	Terminal covers
product designation	terminal cover
design of the product	shock protection for ring cable lug connection

General technical data

Substance Prohibitation (day/month/year)	10/01/2009
Net Weight	0.001 kg

Ambient conditions

ambient temperature	
<ul style="list-style-type: none"> during operation during storage 	<p>-20 ... +60 °C</p> <p>-55 ... +80 °C</p>

Installation/ mounting/ dimensions

fastening method	clip-on
height	18 mm
width	45 mm
depth	11 mm

Approvals Certificates

Environment	General Product Approval	Test Certificates	Maritime application
-------------	--------------------------	-------------------	----------------------

[Environmental Confirmations](#)



[Type Test Certificates/Test Report](#)



Maritime application	other
----------------------	-------



[Confirmation](#)

Further information

- Information on the packaging
<https://support.industry.siemens.com/cs/ww/en/view/109813875>
- Information for data generation and storage
<https://support.industry.siemens.com/cs/ww/en/view/109995012>
- Information- and Downloadcenter (Catalogs, Brochures,...)
<https://www.siemens.com/ic10>
- Industry Mall (Online ordering system)
<https://mall.industry.siemens.com/mall/en/en/Catalog/product?mlfb=3RU2926-3BJ21>
- Cax online generator

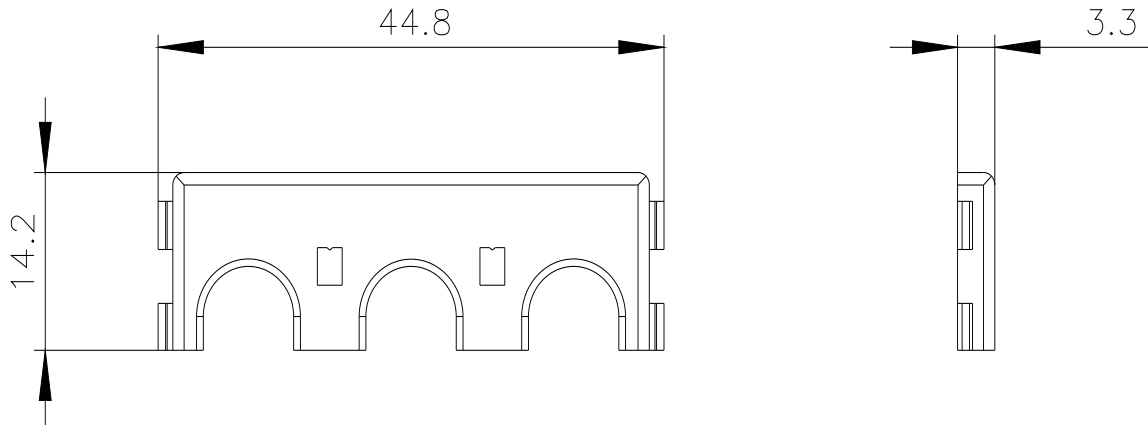
<https://support.automation.siemens.com/WW/CAXorder/default.aspx?lang=en&mlfb=3RU2926-3BJ21>

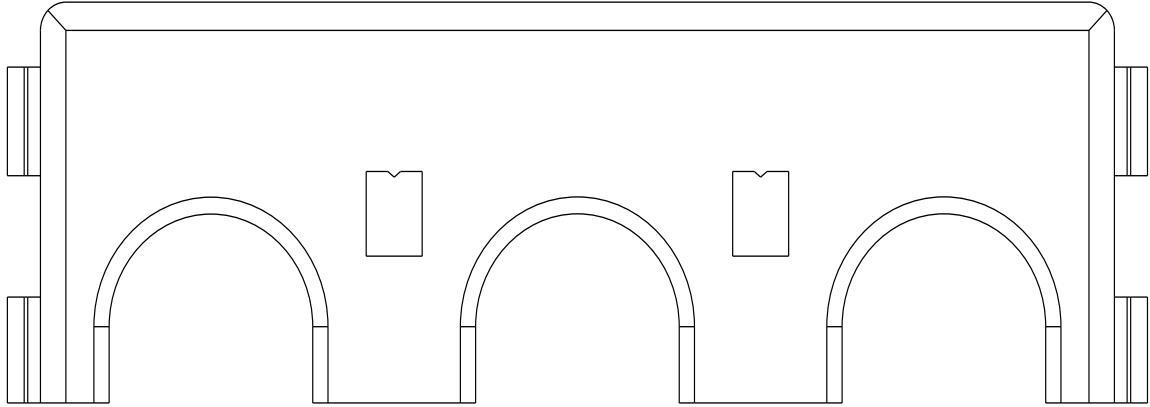
Service&Support (Manuals, Certificates, Characteristics, FAQs,...)

<https://support.industry.siemens.com/cs/ww/en/ps/3RU2926-3BJ21>

Image database (product images, 2D dimension drawings, 3D models, device circuit diagrams, EPLAN macros, ...)

https://www.automation.siemens.com/bilddb/cax_de.aspx?mlfb=3RU2926-3BJ21&lang=en





last modified:

4/2/2025 