

touch protection cover for 3RU21 on the infeed side Size S00 Main circuit: ring cable lug Connection Contactor overload relay



product brand name	SIRIUS		
product category	Terminal covers		
product designation	terminal cover		
design of the product	shock protection for ring cable lug connection		
<b>General technical data</b>			
Substance Prohibition (day/month/year)	10/01/2009		
Net Weight	0.01 kg		
<b>Ambient conditions</b>			
ambient temperature			
• during operation	-20 ... +60 °C		
• during storage	-55 ... +80 °C		
<b>Installation/ mounting/ dimensions</b>			
fastening method	clip-on		
height	14 mm		
width	45 mm		
depth	9 mm		
<b>Approvals Certificates</b>			
Environment	General Product Approval	Test Certificates	Maritime application

[Environmental Confirmations](#)



[Type Test Certificates/Test Report](#)



Maritime application

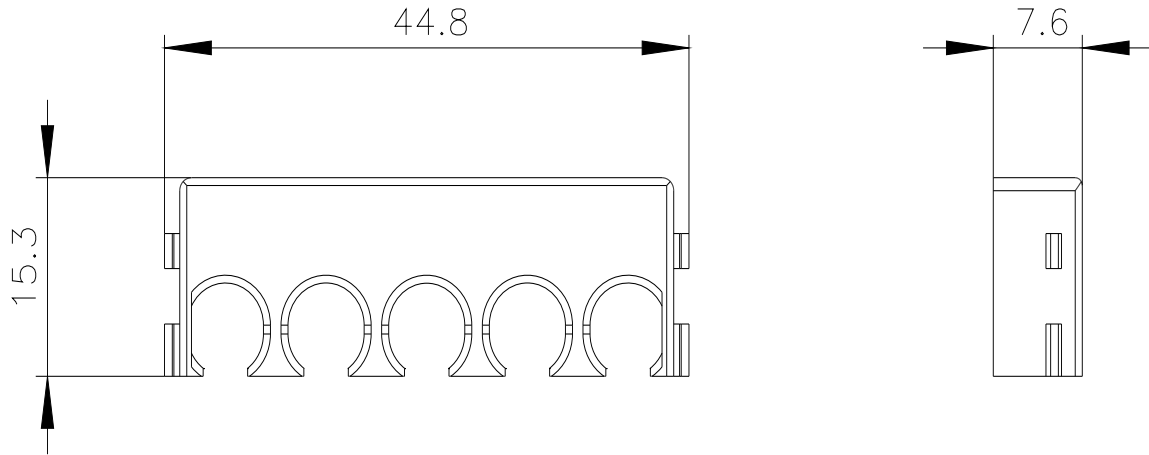
other

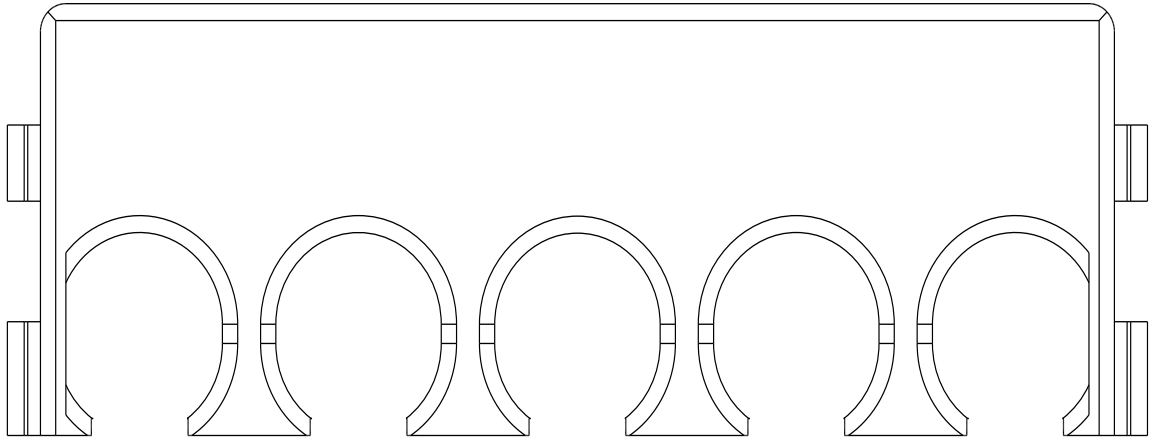


[Confirmation](#)

### Further information

Information on the packaging  
<https://support.industry.siemens.com/cs/ww/en/view/109813875>  
 Information for data generation and storage  
<https://support.industry.siemens.com/cs/ww/en/view/109995012>  
 Information- and Downloadcenter (Catalogs, Brochures,...)  
<https://www.siemens.com/ic10>  
 Industry Mall (Online ordering system)  
<https://mall.industry.siemens.com/mall/en/en/Catalog/product?mifb=3RU2916-3BJ21>  
 Cax online generator





---

last modified:

4/2/2025 