



Handle unit with EFM20, for Size NH2, accessory for fuse switch disconnectors 3NP1

Model	
product brand name	SENTRON
product designation	Fuse carrier with EFM20
design of the product	accessories for 3NP1 fuse switch disconnectors
suitability for use	spare part, for 3NP1, 3-pole, NH2

Accessories	
accessories	for size NH2

Mechanical Design	
Net Weight	1.107 kg

Approvals Certificates	
Environment	General Product Approval

[Environmental Confirmations](#)

[Environmental Confirmations](#)



[Miscellaneous](#)



EG-Konf.

General Product Approval	Test Certificates	Maritime application	other
	Type Test Certificates/Test Report		Confirmation



[Type Test Certificates/Test Report](#)

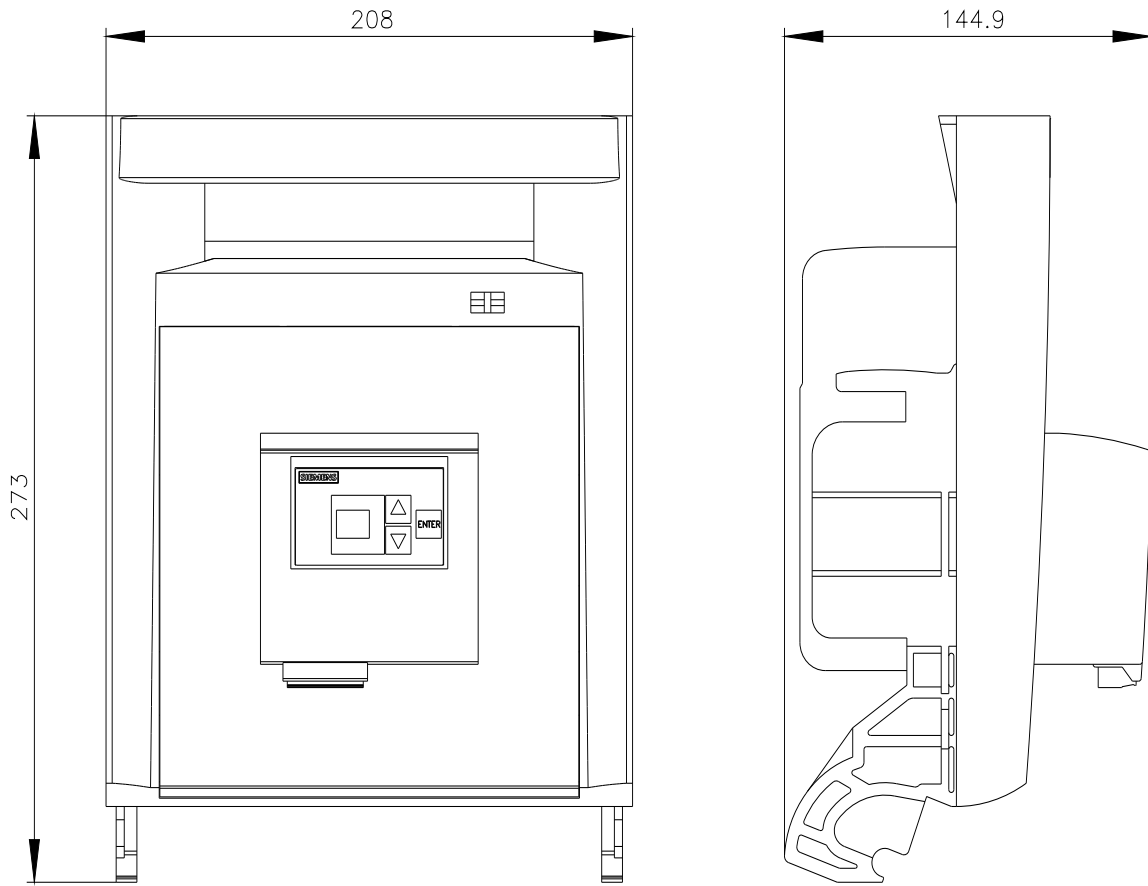


[Confirmation](#)



Further information

- Information on the packaging
<https://support.industry.siemens.com/cs/ww/en/view/109813875>
- Information for data generation and storage
<https://support.industry.siemens.com/cs/ww/en/view/109995012>
- Information- and Downloadcenter (Catalogs, Brochures,...)
<https://www.siemens.com/lowvoltage/catalogs>
- Industry Mall (Online ordering system)
<https://mall.industry.siemens.com/mall/en/en/Catalog/product?mlfb=3NP1953-1GB30>
- Service&Support (Manuals, Certificates, Characteristics, FAQs,...)
<https://support.industry.siemens.com/cs/ww/en/ps/3NP1953-1GB30>
- Image database (product images, 2D dimension drawings, 3D models, device circuit diagrams, ...)
https://www.automation.siemens.com/bilddb/cax_en.aspx?mlfb=3NP1953-1GB30
- CAx-Online-Generator
<https://www.siemens.com/cax>
- Tender specifications
<https://www.siemens.com/specifications>
- Characteristic curves



last modified:

4/12/2025 

