



terminal cover, for size NH2 1-pole, accessory for fuse switch disconnecter 3NP1



Model	
product brand name	SENTRON
product designation	terminal cover.
design of the product	accessories for 3NP1 fuse switch disconnectors
suitability for use	for 3NP1, 1-pole, NH2

Accessories	
accessories	terminal cover

Mechanical Design	
Net Weight	126 g

Approvals Certificates	
Environment	General Product Approval

[Environmental Con-
firmations](#)



[Environmental Con-
firmations](#)

[Miscellaneous](#)



EG-Konf.

General Product Ap- proval	Maritime application	other
		Confirmation

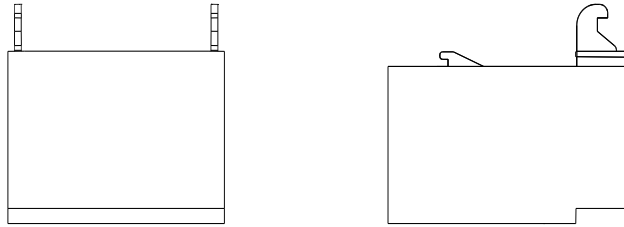
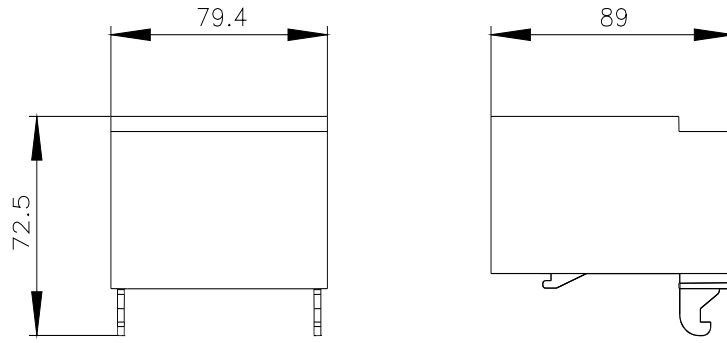


[Confirmation](#)



Further information

- Information on the packaging
<https://support.industry.siemens.com/cs/ww/en/view/109813875>
- Information for data generation and storage
<https://support.industry.siemens.com/cs/ww/en/view/109995012>
- Information- and Downloadcenter (Catalogs, Brochures,...)
<https://www.siemens.com/lowvoltage/catalogs>
- Industry Mall (Online ordering system)
<https://mall.industry.siemens.com/mall/en/en/Catalog/product?mlfb=3NP1951-1CB00>
- Service&Support (Manuals, Certificates, Characteristics, FAQs,...)
<https://support.industry.siemens.com/cs/ww/en/ps/3NP1951-1CB00>
- Image database (product images, 2D dimension drawings, 3D models, device circuit diagrams, ...)
https://www.automation.siemens.com/bilddb/cax_en.aspx?mlfb=3NP1951-1CB00
- CAX-Online-Generator
<https://www.siemens.com/cax>
- Tender specifications
<https://www.siemens.com/specifications>
- Characteristic curves



last modified:

8/7/2025 

