

auxiliary switch, 1 changeover contact solid-state compatible, for size NH1, NH2, NH3, accessory for fuse switch disconnecter 3NP1



| Model                 |  |
|-----------------------|--|
| product brand name    | SETRON   |
| product designation   | auxiliary switch                               |
| design of the product | accessories for 3NP1 fuse switch disconnectors |
| suitability for use   | for 3NP1, NH1, NH2, NH3                        |

| Accessories |  |
|-------------|--|
| accessories | 1 CO contact, solid-state compatible, for size NH1, NH2, NH3 |

| Mechanical Design |      |
|-------------------|------|
| Net Weight        | 21 g |

| Approvals Certificates |                          |
|------------------------|--------------------------|
| Environment            | General Product Approval |

[Environmental Con-  
firmations](#)

[Environmental Con-  
firmations](#)



[Miscellaneous](#)



| General Product Approval | Test Certificates | Maritime application | other |
|--------------------------|-------------------|----------------------|-------|
|--------------------------|-------------------|----------------------|-------|



[Type Test Certifi-  
cates/Test Report](#)



[Confirmation](#)



### Further information

Information on the packaging

<https://support.industry.siemens.com/cs/ww/en/view/109813875>

Information for data generation and storage

<https://support.industry.siemens.com/cs/ww/en/view/109995012>

Information- and Downloadcenter (Catalogs, Brochures,...)

<https://www.siemens.com/lowvoltage/catalogs>

Industry Mall (Online ordering system)

<https://mall.industry.siemens.com/mall/en/en/Catalog/product?mlfb=3NP1940-1FB00>

Service&Support (Manuals, Certificates, Characteristics, FAQs,...)

<https://support.industry.siemens.com/cs/ww/en/ps/3NP1940-1FB00>

Image database (product images, 2D dimension drawings, 3D models, device circuit diagrams, ...)

[https://www.automation.siemens.com/bilddb/cax\\_en.aspx?mlfb=3NP1940-1FB00](https://www.automation.siemens.com/bilddb/cax_en.aspx?mlfb=3NP1940-1FB00)

CAX-Online-Generator

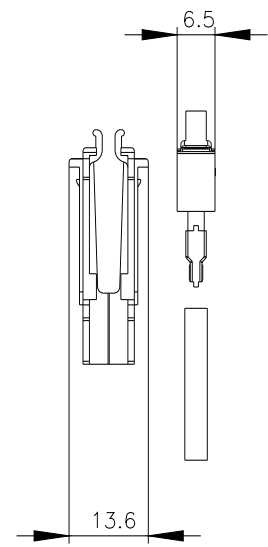
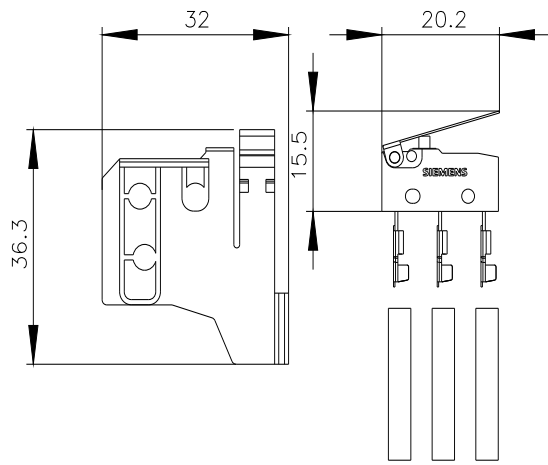
<https://www.siemens.com/cax>

Tender specifications

<https://www.siemens.com/specifications>

Characteristic curves

[https://curves.simaris.siemens.com/curves/<mmp\\_prod\\_noCOMP='HAUPT'></mmp\\_prod\\_no>](https://curves.simaris.siemens.com/curves/<mmp_prod_noCOMP='HAUPT'></mmp_prod_no>)



last modified:

4/12/2025 

