



Mounting kit, for conversion to installation on standard mounting rail, for Size NH00 for floor mounting, accessory for fuse switch disconnecter 3NP1

Model	
product brand name	SETRON
product designation	mounting set
design of the product	accessories for 3NP1 fuse switch disconnectors
suitability for use	for 3NP1, 3-pole, 4-pole, NH00, floor mounting

Accessories	
accessories	for modification to DIN rail mounting, for size NH00 for floor mounting

Mechanical Design	
Net Weight	47 g

Approvals Certificates	
Environment	General Product Approval

[Environmental Confirmations](#)

[Environmental Confirmations](#)



[Miscellaneous](#)



EG-Konf.

General Product Approval	Test Certificates	Maritime application	other
--------------------------	-------------------	----------------------	-------



[Type Test Certificates/Test Report](#)

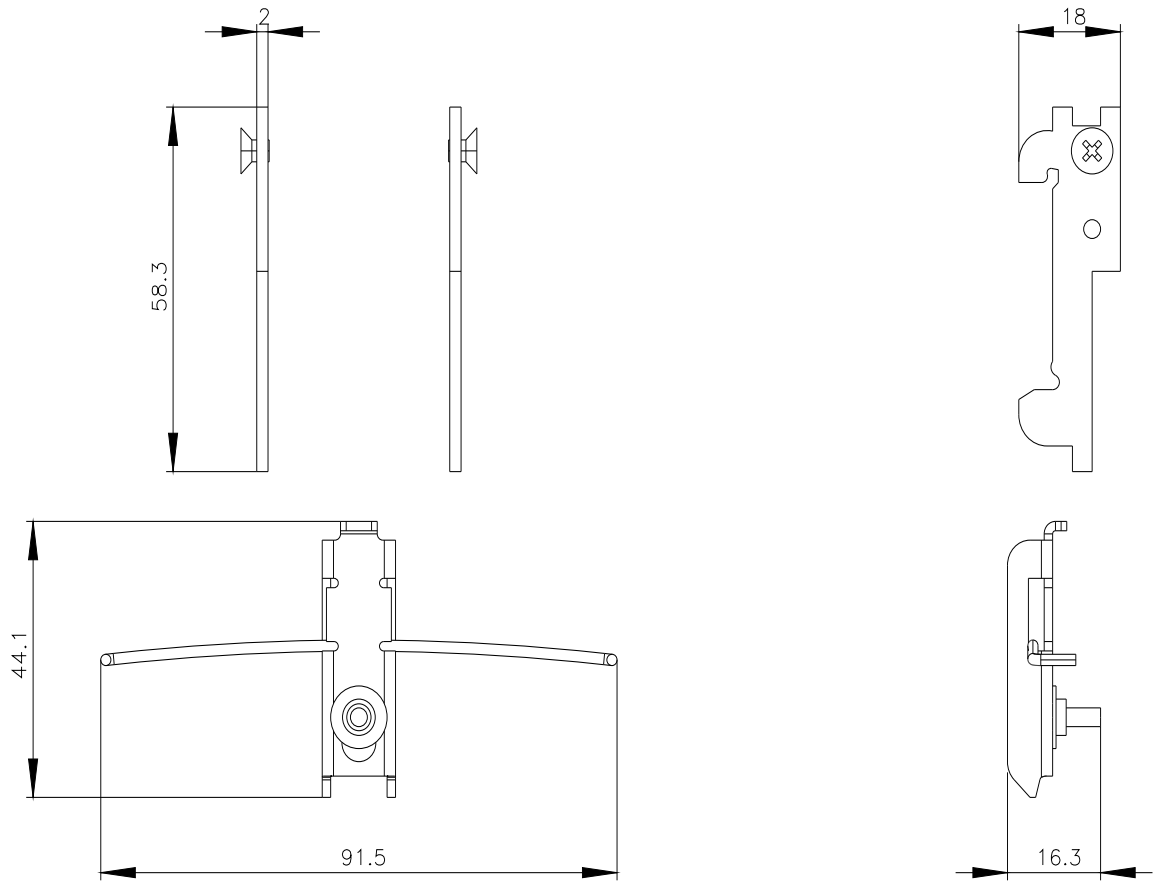


[Confirmation](#)



Further information

- Information on the packaging
<https://support.industry.siemens.com/cs/ww/en/view/109813875>
- Information for data generation and storage
<https://support.industry.siemens.com/cs/ww/en/view/109995012>
- Information- and Downloadcenter (Catalogs, Brochures,...)
<https://www.siemens.com/lowvoltage/catalogs>
- Industry Mall (Online ordering system)
<https://mall.industry.siemens.com/mall/en/en/Catalog/product?mlfb=3NP1933-1EB00>
- Service&Support (Manuals, Certificates, Characteristics, FAQs,...)
<https://support.industry.siemens.com/cs/ww/en/ps/3NP1933-1EB00>
- Image database (product images, 2D dimension drawings, 3D models, device circuit diagrams, ...)
https://www.automation.siemens.com/bilddb/cax_en.aspx?mlfb=3NP1933-1EB00
- CAX-Online-Generator
<https://www.siemens.com/cax>
- Tender specifications
<https://www.siemens.com/specifications>
- Characteristic curves



last modified:

4/12/2025 

