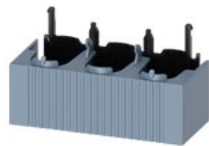




terminal cover with reach-around protection, for size NH00 for busbar mounting with screw terminal, accessory for fuse switch disconnecter 3NP1



| Model                 |  |
|-----------------------|--|
| product brand name    | SETRON   |
| product designation   | Terminal cover with reach-around protection    |
| design of the product | accessories for 3NP1 fuse switch disconnectors |
| suitability for use   | for 3NP1, 3-pole, NH00, busbar mounting        |

| Accessories |  |
|-------------|--|
| accessories | for size NH00 for busbar mounting with screw terminals |

| Mechanical Design |      |
|-------------------|------|
| Net Weight        | 87 g |

| Approvals Certificates |                          |
|------------------------|--------------------------|
| Environment            | General Product Approval |

[Environmental Con-  
firmations](#)

[Environmental Con-  
firmations](#)



[Miscellaneous](#)



EG-Konf.

| General Product Ap-<br>proval | Maritime application | other                        |
|-------------------------------|----------------------|------------------------------|
|                               |                      | <a href="#">Confirmation</a> |

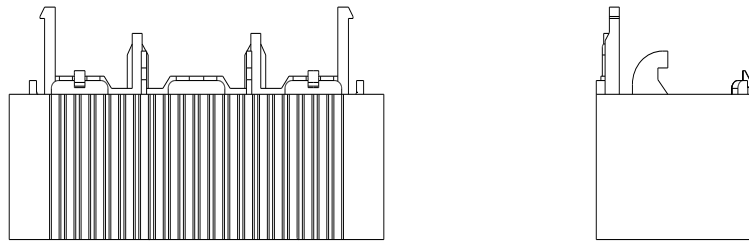
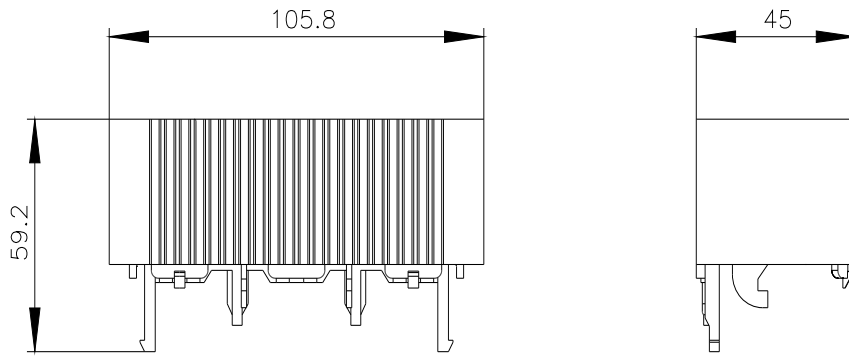


[Confirmation](#)



### Further information

- Information on the packaging  
<https://support.industry.siemens.com/cs/ww/en/view/109813875>
- Information for data generation and storage  
<https://support.industry.siemens.com/cs/ww/en/view/109995012>
- Information- and Downloadcenter (Catalogs, Brochures,...)  
<https://www.siemens.com/lowvoltage/catalogs>
- Industry Mall (Online ordering system)  
<https://mall.industry.siemens.com/mall/en/en/Catalog/product?mlfb=3NP1933-1CC00>
- Service&Support (Manuals, Certificates, Characteristics, FAQs,...)  
<https://support.industry.siemens.com/cs/ww/en/ps/3NP1933-1CC00>
- Image database (product images, 2D dimension drawings, 3D models, device circuit diagrams, ...)  
[https://www.automation.siemens.com/bilddb/cax\\_en.aspx?mlfb=3NP1933-1CC00](https://www.automation.siemens.com/bilddb/cax_en.aspx?mlfb=3NP1933-1CC00)
- CAx-Online-Generator  
<https://www.siemens.com/cax>
- Tender specifications  
<https://www.siemens.com/specifications>
- Characteristic curves



last modified:

4/12/2025 

