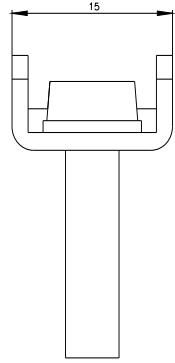
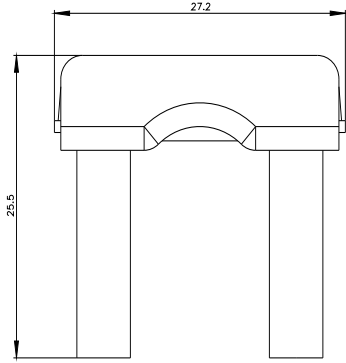




Saddle terminal 1.5 - 70 mm², for size NH00 with screw terminal, accessory for fuse switch disconnecter 3NP1 Contains 3 terminals

Model					
product brand name	SENTRON				
product designation	Saddle terminal 1.5 - 70 mm ²				
design of the product	accessories for 3NP1 fuse switch disconnectors				
suitability for use	for 3NP1, 3-pole, NH00, with flat connector				
Accessories					
accessories	for size NH00 with screw terminals				
Mechanical Design					
Net Weight	47 g				
Approvals Certificates					
Environment	General Product Approval				
Environmental Con- firmations	Environmental Con- firmations	Miscellaneous			
Type Test Certific- ates/Test Report		Confirmation			
Further information					
<p>Information on the packaging https://support.industry.siemens.com/cs/ww/en/view/109813875</p> <p>Information for data generation and storage https://support.industry.siemens.com/cs/ww/en/view/109995012</p> <p>Information- and Downloadcenter (Catalogs, Brochures,...) https://www.siemens.com/lowvoltage/catalogs</p> <p>Industry Mall (Online ordering system) https://mall.industry.siemens.com/mall/en/en/Catalog/product?mlfb=3NP1933-1BA00</p> <p>Service&Support (Manuals, Certificates, Characteristics, FAQs,...) https://support.industry.siemens.com/cs/ww/en/ps/3NP1933-1BA00</p> <p>Image database (product images, 2D dimension drawings, 3D models, device circuit diagrams, ...) https://www.automation.siemens.com/bilddb/cax_en.aspx?mlfb=3NP1933-1BA00</p> <p>CAX-Online-Generator https://www.siemens.com/cax</p> <p>Tender specifications https://www.siemens.com/specifications</p> <p>Characteristic curves <a href="https://curves.simaris.siemens.com/curves/<mmp_prod_noCOMP='HAUPT'></mmp_prod_no>">https://curves.simaris.siemens.com/curves/<mmp_prod_noCOMP='HAUPT'></mmp_prod_no></p>					



last modified:

4/12/2025 