



Saddle terminal 1.5 - 70 mm<sup>2</sup>, for Size NH00 1-pole with screw terminal, accessory for fuse switch disconnecter 3NP1 contains 1 terminal

Model	
product brand name	SENTRON
product designation	Saddle terminal 1.5 - 70 mm <sup>2</sup>
design of the product	accessories for 3NP1 fuse switch disconnectors
suitability for use	for 3NP1, 1-pole, NH00, with flat connector

Accessories	
accessories	Saddle terminals

Mechanical Design	
Net Weight	17 g

Approvals Certificates	
Environment	General Product Approval

[Environmental Con-  
firmations](#)



[Environmental Con-  
firmations](#)

[Miscellaneous](#)



General Product Ap- proval	Maritime application	other
-------------------------------	----------------------	-------



[Confirmation](#)



### Further information

Information on the packaging

<https://support.industry.siemens.com/cs/ww/en/view/109813875>

Information for data generation and storage

<https://support.industry.siemens.com/cs/ww/en/view/109995012>

Information- and Downloadcenter (Catalogs, Brochures,...)

<https://www.siemens.com/lowvoltage/catalogs>

Industry Mall (Online ordering system)

<https://mall.industry.siemens.com/mall/en/en/Catalog/product?mlfb=3NP1931-1BA00>

Service&Support (Manuals, Certificates, Characteristics, FAQs,...)

<https://support.industry.siemens.com/cs/ww/en/ps/3NP1931-1BA00>

Image database (product images, 2D dimension drawings, 3D models, device circuit diagrams, ...)

[https://www.automation.siemens.com/bilddb/cax\\_en.aspx?mlfb=3NP1931-1BA00](https://www.automation.siemens.com/bilddb/cax_en.aspx?mlfb=3NP1931-1BA00)

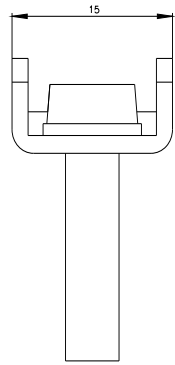
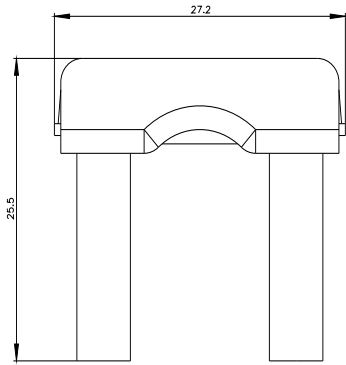
CAX-Online-Generator

<https://www.siemens.com/cax>

Tender specifications

<https://www.siemens.com/specifications>

Characteristic curves



---

last modified:

4/12/2025 

