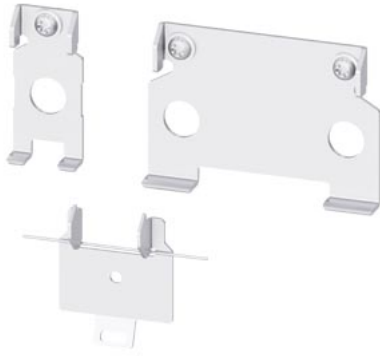


Assembly kit, for modification to DIN rail mounting, for size NH000 4-pole for floor mounting, accessories for 3NP1 fuse switch disconnectors



Model	
product brand name	SETRON
product designation	mounting set
design of the product	accessories for 3NP1 fuse switch disconnectors
suitability for use	for 3NP1, 4-pole, NH000, floor mounting

Accessories	
accessories	assembly kit

Mechanical Design	
Net Weight	81 g

Approvals Certificates	
Environment	General Product Approval

[Environmental Confirmations](#)

[Environmental Confirmations](#)



[Miscellaneous](#)



EG-Konf.

General Product Approval	Maritime application	other
		Confirmation



[Confirmation](#)



Further information

Information on the packaging

<https://support.industry.siemens.com/cs/ww/en/view/109813875>

Information for data generation and storage

<https://support.industry.siemens.com/cs/ww/en/view/109995012>

Information- and Downloadcenter (Catalogs, Brochures,...)

<https://www.siemens.com/lowvoltage/catalogs>

Industry Mall (Online ordering system)

<https://mall.industry.siemens.com/mall/en/en/Catalog/product?mlfb=3NP1924-1EA00>

Service&Support (Manuals, Certificates, Characteristics, FAQs,...)

<https://support.industry.siemens.com/cs/ww/en/ps/3NP1924-1EA00>

Image database (product images, 2D dimension drawings, 3D models, device circuit diagrams, ...)

https://www.automation.siemens.com/bilddb/cax_en.aspx?mlfb=3NP1924-1EA00

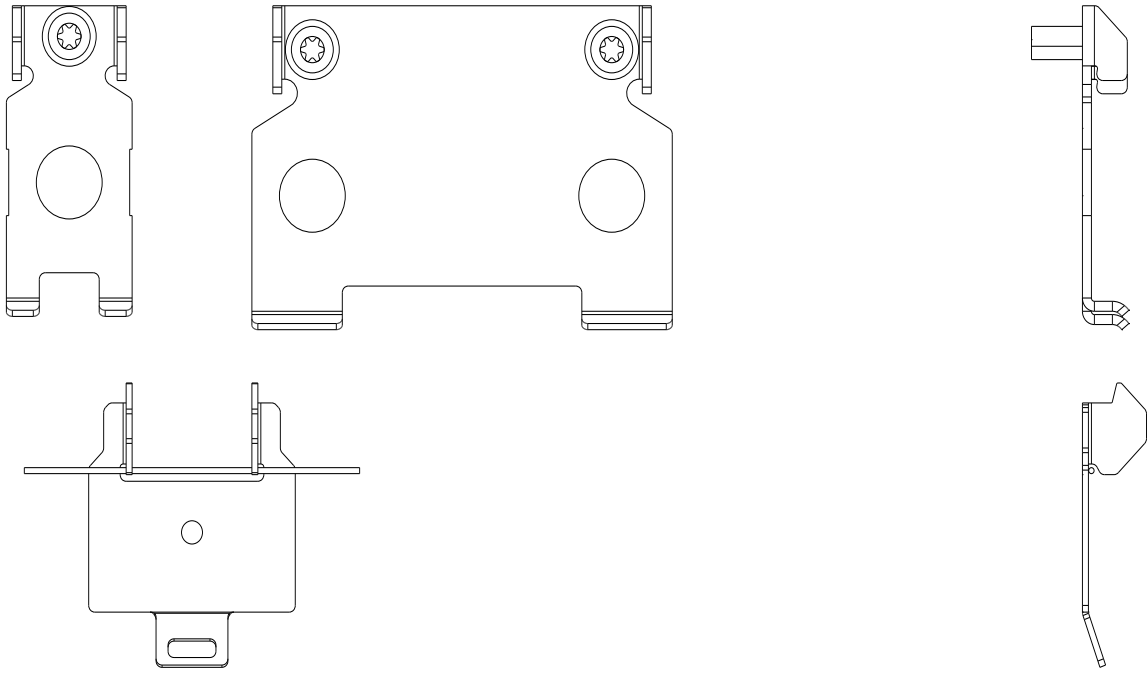
CAx-Online-Generator

<https://www.siemens.com/cax>

Tender specifications

<https://www.siemens.com/specifications>

Characteristic curves



last modified:

4/12/2025 

