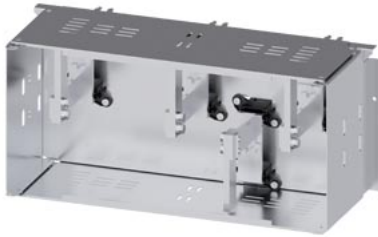


accessory for Switch disconnecter with fuses In-line design, plug-in, NH2, 3
Contact extension for 4-pole devices



Model		
product brand name	SENTRON	
product designation	Connection method	
design of the product	accessories for 3NJ6 switch disconnectors with fuses	
Accessories		
accessories	contact extension for size NH2, NH3, for 4-pole 3NJ6	
Mechanical Design		
Net Weight	8.62 kg	
Approvals Certificates		
Environment	General Product Approval	EMV

[Environmental Con-
firmations](#)



[Confirmation](#)



Test Certificates	other
Type Test Certificates/Test Report	Confirmation



Further information

Information on the packaging

<https://support.industry.siemens.com/cs/ww/en/view/109813875>

Information for data generation and storage

<https://support.industry.siemens.com/cs/ww/en/view/109995012>

Information- and Downloadcenter (Catalogs, Brochures,...)

<https://www.siemens.com/lowvoltage/catalogs>

Industry Mall (Online ordering system)

<https://mall.industry.siemens.com/mall/en/en/Catalog/product?mlfb=3NJ6944-1EB00>

Service&Support (Manuals, Certificates, Characteristics, FAQs,...)

<https://support.industry.siemens.com/cs/ww/en/ps/3NJ6944-1EB00>

Image database (product images, 2D dimension drawings, 3D models, device circuit diagrams, ...)

https://www.automation.siemens.com/bilddb/cax_en.aspx?mlfb=3NJ6944-1EB00

CAx-Online-Generator

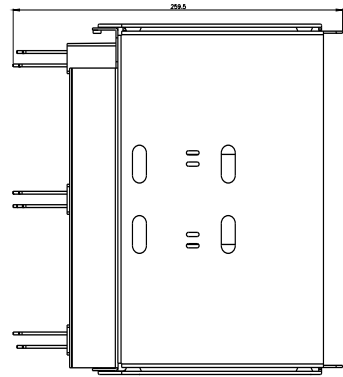
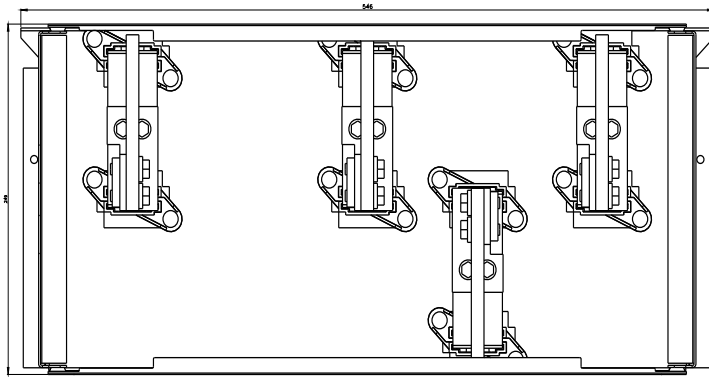
<https://www.siemens.com/cax>

Tender specifications

<https://www.siemens.com/specifications>

Characteristic curves

[https://curves.simaris.siemens.com/curves/<mmp_prod_noCOMP="HAUPT"></mmp_prod_no>](https://curves.simaris.siemens.com/curves/<mmp_prod_noCOMP=)



last modified:

4/12/2025 

