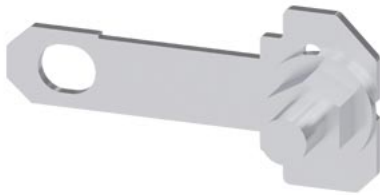


accessory for Switch disconnecter with fuses In-line design, plug-in, NH1 Current transformer busbars for 1 current transformer



| Model                  |   |     |
|------------------------|---|-----|
| product brand name     | SETRON  |     |
| product designation    | Current transformer busbars   |     |
| design of the product  | accessories for 3NJ6 switch disconnectors with fuses  |     |
| Accessories            |   |     |
| accessories            | current transformer busbars for size NH1, for 1 current transformer, feed-through opening 21 mm |     |
| Mechanical Design      |   |     |
| Net Weight             | 120 g   |     |
| Approvals Certificates |   |     |
| Environment            | General Product Approval  | EMV |

[Environmental Confirmations](#)



[Confirmation](#)



Test Certificates

other

[Type Test Certificates/Test Report](#)

[Confirmation](#)



### Further information

#### Information on the packaging

<https://support.industry.siemens.com/cs/ww/en/view/109813875>

#### Information for data generation and storage

<https://support.industry.siemens.com/cs/ww/en/view/109995012>

#### Information- and Downloadcenter (Catalogs, Brochures,...)

<https://www.siemens.com/lowvoltage/catalogs>

#### Industry Mall (Online ordering system)

<https://mall.industry.siemens.com/mall/en/en/Catalog/product?mlfb=3NJ6930-3DB00>

#### Service&Support (Manuals, Certificates, Characteristics, FAQs,...)

<https://support.industry.siemens.com/cs/ww/en/ps/3NJ6930-3DB00>

#### Image database (product images, 2D dimension drawings, 3D models, device circuit diagrams, ...)

[https://www.automation.siemens.com/bilddb/cax\\_en.aspx?mlfb=3NJ6930-3DB00](https://www.automation.siemens.com/bilddb/cax_en.aspx?mlfb=3NJ6930-3DB00)

#### CAX-Online-Generator

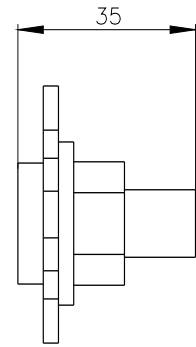
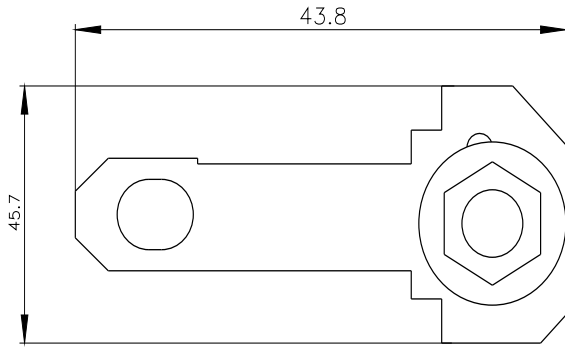
<https://www.siemens.com/cax>

#### Tender specifications

<https://www.siemens.com/specifications>

#### Characteristic curves

[https://curves.simaris.siemens.com/curves/<mmp\\_prod\\_noCOMP="HAUPT"></mmp\\_prod\\_no>](https://curves.simaris.siemens.com/curves/<mmp_prod_noCOMP=)



---

last modified:

4/12/2025 

