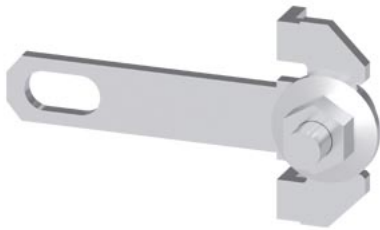


accessory for Switch disconnecter with fuses In-line design, plug-in, NH00 Current transformer busbars for 3 current transformers with 14 mm bushing opening



| Model | | |
|------------------------|--|-----|
| product brand name | SETRON | |
| product designation | Current transformer busbars | |
| design of the product | accessories for 3NJ6 switch disconnectors with fuses | |
| Accessories | | |
| accessories | current transformer busbars for size NH00, for 3 current transformers, | |
| Mechanical Design | | |
| Net Weight | 0.182 g | |
| Approvals Certificates | | |
| Environment | General Product Approval | EMV |

[Environmental Confirmations](#)



[Confirmation](#)



Test Certificates other

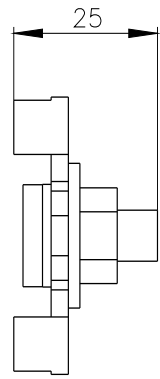
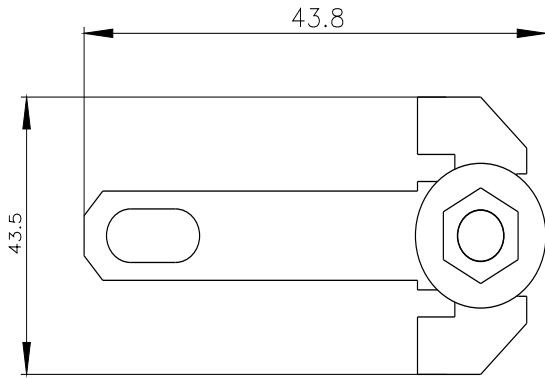
[Type Test Certificates/Test Report](#)

[Confirmation](#)



Further information

- Information on the packaging
<https://support.industry.siemens.com/cs/ww/en/view/109813875>
- Information for data generation and storage
<https://support.industry.siemens.com/cs/ww/en/view/109995012>
- Information- and Downloadcenter (Catalogs, Brochures,...)
<https://www.siemens.com/lowvoltage/catalogs>
- Industry Mall (Online ordering system)
<https://mall.industry.siemens.com/mall/en/en/Catalog/product?mlfb=3NJ6920-3DF00>
- Service&Support (Manuals, Certificates, Characteristics, FAQs,...)
<https://support.industry.siemens.com/cs/ww/en/ps/3NJ6920-3DF00>
- Image database (product images, 2D dimension drawings, 3D models, device circuit diagrams, ...)
https://www.automation.siemens.com/bilddb/cax_en.aspx?mlfb=3NJ6920-3DF00
- CAx-Online-Generator
<https://www.siemens.com/cax>
- Tender specifications
<https://www.siemens.com/specifications>
- Characteristic curves
[https://curves.simaris.siemens.com/curves/<mmp_prod_noCOMP="HAUPT"></mmp_prod_no>](https://curves.simaris.siemens.com/curves/<mmp_prod_noCOMP=)



last modified:

4/12/2025 

