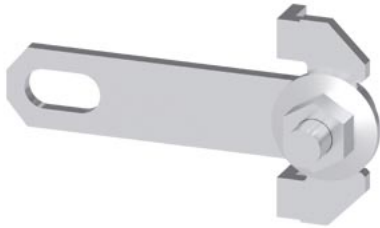


accessory for Switch disconnecter with fuses In-line design, plug-in, NH00 Current transformer busbars for 1 current transformer



Model		
product brand name	SENTRON	
product designation	Current transformer busbars	
design of the product	accessories for 3NJ6 switch disconnectors with fuses	
Accessories		
accessories	current transformer busbars for size NH00, for 1 current transformer, feed-through opening 21 mm	
Mechanical Design		
Net Weight	64 g	
Approvals Certificates		
Environment	General Product Approval	EMV

[Environmental Confirmations](#)



[Confirmation](#)



Test Certificates

other

[Type Test Certificates/Test Report](#)

[Confirmation](#)



Further information

Information on the packaging

<https://support.industry.siemens.com/cs/ww/en/view/109813875>

Information for data generation and storage

<https://support.industry.siemens.com/cs/ww/en/view/109995012>

Information- and Downloadcenter (Catalogs, Brochures,...)

<https://www.siemens.com/lowvoltage/catalogs>

Industry Mall (Online ordering system)

<https://mall.industry.siemens.com/mall/en/en/Catalog/product?mlfb=3NJ6920-3DB00>

Service&Support (Manuals, Certificates, Characteristics, FAQs,...)

<https://support.industry.siemens.com/cs/ww/en/ps/3NJ6920-3DB00>

Image database (product images, 2D dimension drawings, 3D models, device circuit diagrams, ...)

https://www.automation.siemens.com/bilddb/cax_en.aspx?mlfb=3NJ6920-3DB00

CAX-Online-Generator

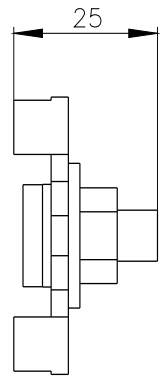
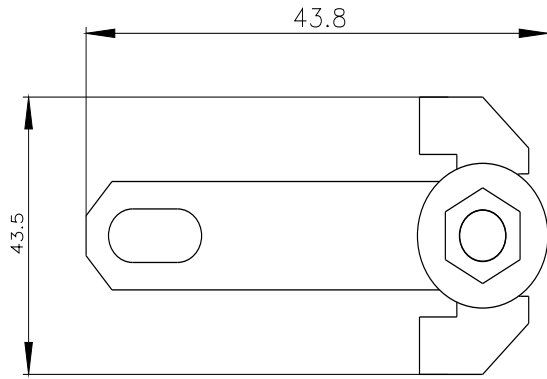
<https://www.siemens.com/cax>

Tender specifications

<https://www.siemens.com/specifications>

Characteristic curves

[https://curves.simaris.siemens.com/curves/<mmp_prod_noCOMP="HAUPT"></mmp_prod_no>](https://curves.simaris.siemens.com/curves/<mmp_prod_noCOMP=)



last modified:

4/12/2025 

