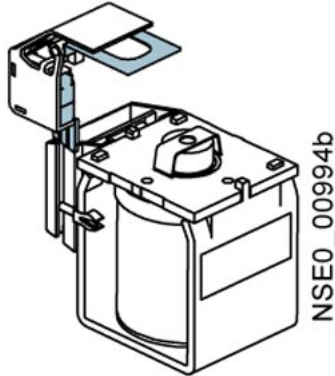


accessories circuit breaker 3WL signal switch for 1st and 2nd aux. release



| Model | |
|---|--------------------------|
| product brand name | SENTRON |
| product designation | Signaling switch |
| design of the product | Accessories |
| General technical data | |
| degree of pollution | 3 |
| Voltage | |
| surge voltage resistance rated value | 4 kV |
| Supply voltage | |
| operating voltage | |
| <ul style="list-style-type: none"> at AC at 50 Hz rated value maximum at DC rated value maximum | 250 V 250 V |
| Short circuit | |
| design of the DIAZED fuse link gG for short-circuit protection maximum permissible | 6 A Dz (quick) |
| Mechanical Design | |
| Net Weight | 0.02 kg |
| Approvals Certificates | |
| Environment | General Product Approval |

[Environmental Con-
firmations](#)

[Environmental Con-
firmations](#)

EAC

[Confirmation](#)

CE
EG-Konf.

**UK
CA**

| Test Certificates | other |
|-------------------|-------|
|-------------------|-------|

[Miscellaneous](#)

[Confirmation](#)



Further information

Information on the packaging
<https://support.industry.siemens.com/cs/ww/en/view/109813875>
 Information for data generation and storage
<https://support.industry.siemens.com/cs/ww/en/view/109995012>
 Information- and Downloadcenter (Catalogs, Brochures,...)
<https://www.siemens.com/lowvoltage/catalogs>
 Industry Mall (Online ordering system)
<https://mall.industry.siemens.com/mall/en/en/Catalog/product?mlfb=3WL9111-0AH02-0AA0>

Service&Support (Manuals, Certificates, Characteristics, FAQs,...)

<https://support.industry.siemens.com/cs/ww/en/ps/3WL9111-0AH02-0AA0>

Image database (product images, 2D dimension drawings, 3D models, device circuit diagrams, ...)

https://www.automation.siemens.com/bilddb/cax_en.aspx?mlfb=3WL9111-0AH02-0AA0

CAX-Online-Generator

<https://www.siemens.com/cax>

Tender specifications

<https://www.siemens.com/specifications>

Characteristic curves

[https://curves.simaris.siemens.com/curves/<mmp_prod_noCOMP="HAUPT"></mmp_prod_no>](https://curves.simaris.siemens.com/curves/<mmp_prod_noCOMP=)

last modified:

6/1/2025 

