

NSE0_00991a

accessories circuit breaker 3WL ext. current transformers s.III f. n-cond.prot. rogowski convtr. with copper bar

Model	
product brand name	SENTRON
product designation	Accessories for 3WL circuit breaker
design of the product	External BGIII current transformers for N-conductor protection Rogowski transformer with copper bar

Accessories	
accessories	other

Mechanical Design	
Net Weight	8.5 kg

Approvals Certificates	
Environment	General Product Approval

[Environmental Confirmations](#)

[Environmental Confirmations](#)



[Confirmation](#)



Test Certificates	
other	

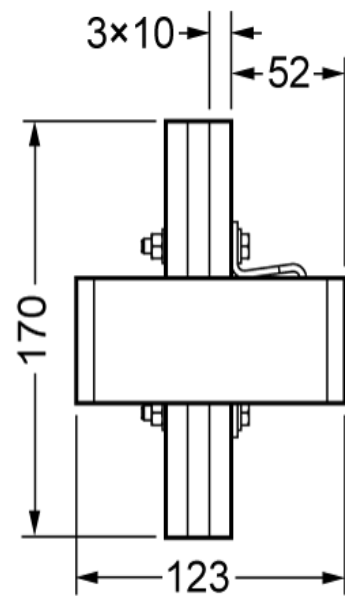
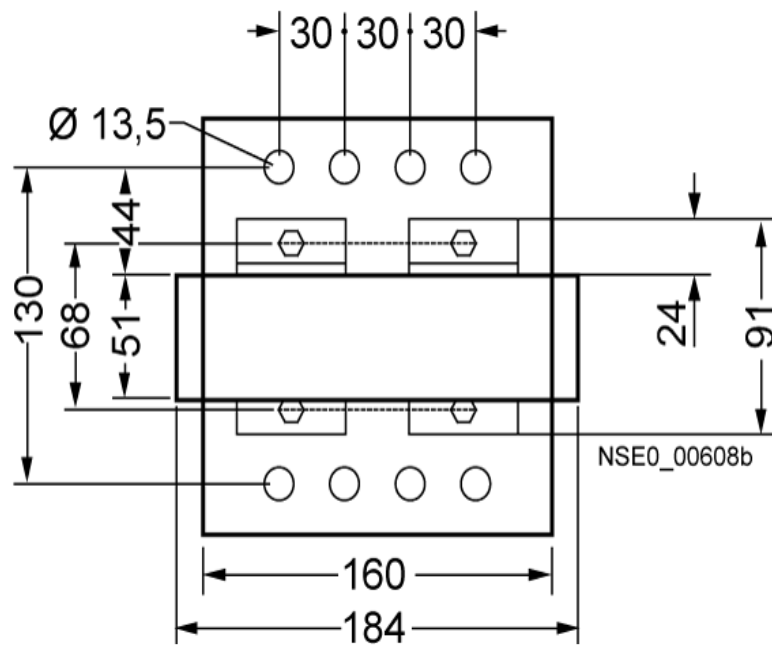
[Miscellaneous](#)

[Confirmation](#)



Further information

- Information on the packaging
<https://support.industry.siemens.com/cs/ww/en/view/109813875>
- Information for data generation and storage
<https://support.industry.siemens.com/cs/ww/en/view/109995012>
- Information- and Downloadcenter (Catalogs, Brochures,...)
<https://www.siemens.com/lowvoltage/catalogs>
- Industry Mall (Online ordering system)
<https://mall.industry.siemens.com/mall/en/en/Catalog/product?mlfb=3WL9111-0AA33-0AA0>
- Service&Support (Manuals, Certificates, Characteristics, FAQs,...)
<https://support.industry.siemens.com/cs/ww/en/ps/3WL9111-0AA33-0AA0>
- Image database (product images, 2D dimension drawings, 3D models, device circuit diagrams, ...)
https://www.automation.siemens.com/bilddb/cax_en.aspx?mlfb=3WL9111-0AA33-0AA0
- CAx-Online-Generator
<https://www.siemens.com/cax>
- Tender specifications
<https://www.siemens.com/specifications>
- Characteristic curves
[https://curves.simaris.siemens.com/curves/<mmp_prod_noCOMP="HAUPT"></mmp_prod_no>](https://curves.simaris.siemens.com/curves/<mmp_prod_noCOMP=)



last modified:

5/24/2025

