

accessory for VT1000, VT1600 multiple feed-in terminal 4x 150-300mm² for Cu/Al
for 4 conductors per terminal 1 set = 3 units



Model			
product brand name	SENTRON		
product designation	Connection technology		
design of the product	Multiple infeed terminal		
Accessories			
accessories	Accessory for VT1000, VT1600		
Mechanical Design			
Net Weight	1.814 kg		
Approvals Certificates			
Environment	General Product Approval	Test Certificates	other

[Environmental Con-
firmations](#)



[Confirmation](#)



[Type Test Certific-
ates/Test Report](#)

[Confirmation](#)

other



[Miscellaneous](#)

Further information

Information on the packaging

<https://support.industry.siemens.com/cs/ww/en/view/109813875>

Information for data generation and storage

<https://support.industry.siemens.com/cs/ww/en/view/109995012>

Information- and Downloadcenter (Catalogs, Brochures,...)

<https://www.siemens.com/lowvoltage/catalogs>

Industry Mall (Online ordering system)

<https://mall.industry.siemens.com/mall/en/en/Catalog/product?mlfb=3VT9534-4TF30>

Service&Support (Manuals, Certificates, Characteristics, FAQs,...)

<https://support.industry.siemens.com/cs/ww/en/ps/3VT9534-4TF30>

Image database (product images, 2D dimension drawings, 3D models, device circuit diagrams, ...)

https://www.automation.siemens.com/bilddb/cax_en.aspx?mlfb=3VT9534-4TF30

CAX-Online-Generator

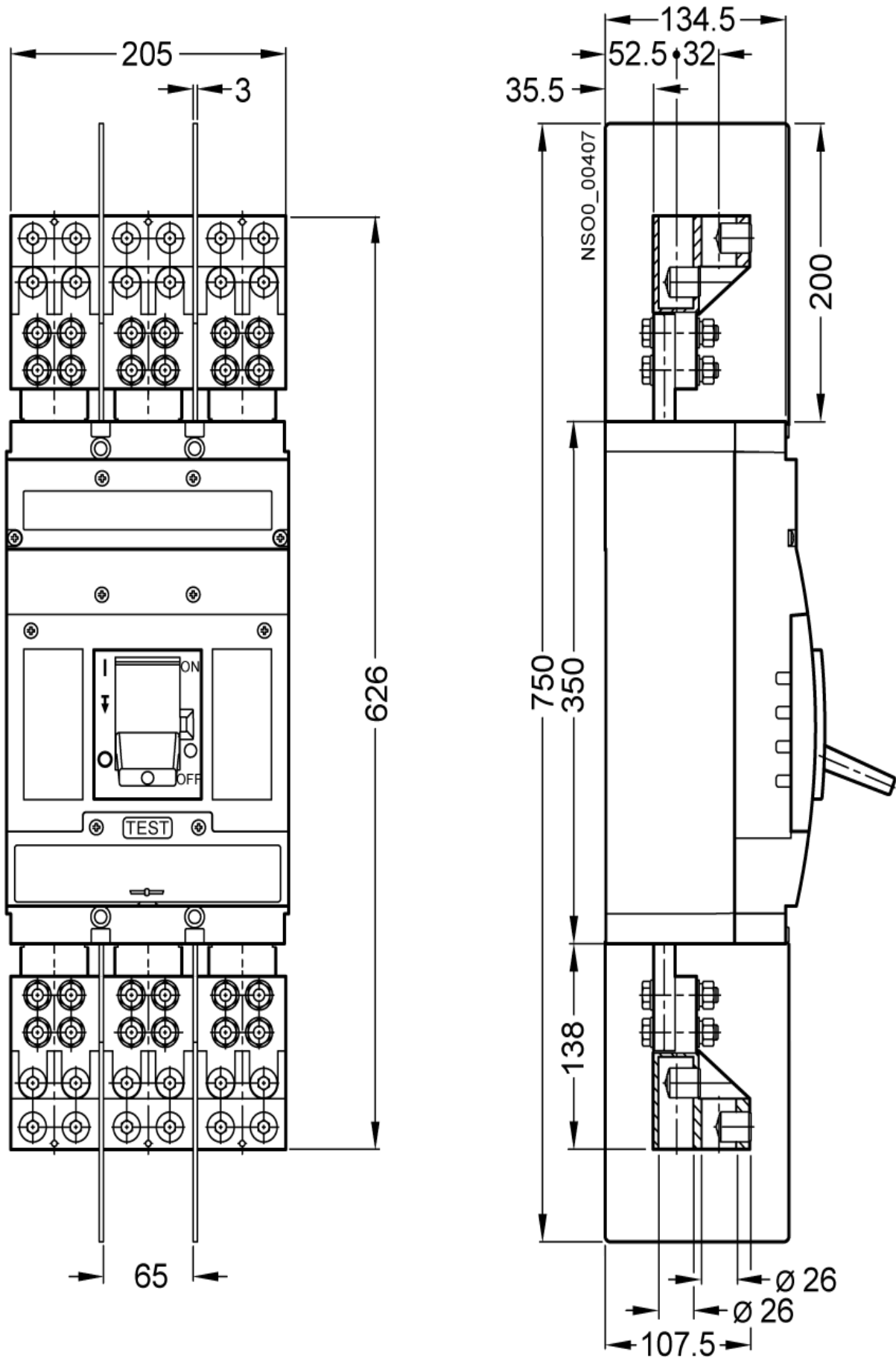
<https://www.siemens.com/cax>

Tender specifications

<https://www.siemens.com/specifications>

Characteristic curves

[https://curves.simaris.siemens.com/curves/<mmp_prod_noCOMP="HAUPT"></mmp_prod_no>](https://curves.simaris.siemens.com/curves/<mmp_prod_noCOMP=)



last modified:

6/15/2025

