

accessory for VT1000, VT1600 multiple feed-in terminal 2x 150-300mm<sup>2</sup> for Cu/Al for 2 conductors per terminal 1 set = 3 units



Model			
product brand name	SENTRON		
product designation	Connection technology		
design of the product	Multiple infeed terminal		
Accessories			
accessories	Accessory for VT1000, VT1600		
Mechanical Design			
Net Weight	1.048 kg		
Approvals Certificates			
Environment	General Product Approval	Test Certificates	other

[Environmental Conformations](#)



[Confirmation](#)



[Type Test Certificates/Test Report](#)

[Confirmation](#)

other



[Miscellaneous](#)

### Further information

#### Information on the packaging

<https://support.industry.siemens.com/cs/ww/en/view/109813875>

#### Information for data generation and storage

<https://support.industry.siemens.com/cs/ww/en/view/109995012>

#### Information- and Downloadcenter (Catalogs, Brochures,...)

<https://www.siemens.com/lowvoltage/catalogs>

#### Industry Mall (Online ordering system)

<https://mall.industry.siemens.com/mall/en/en/Catalog/product?mlfb=3VT9532-4TF30>

#### Service&Support (Manuals, Certificates, Characteristics, FAQs,...)

<https://support.industry.siemens.com/cs/ww/en/ps/3VT9532-4TF30>

#### Image database (product images, 2D dimension drawings, 3D models, device circuit diagrams, ...)

[https://www.automation.siemens.com/bilddb/cax\\_en.aspx?mlfb=3VT9532-4TF30](https://www.automation.siemens.com/bilddb/cax_en.aspx?mlfb=3VT9532-4TF30)

#### CAx-Online-Generator

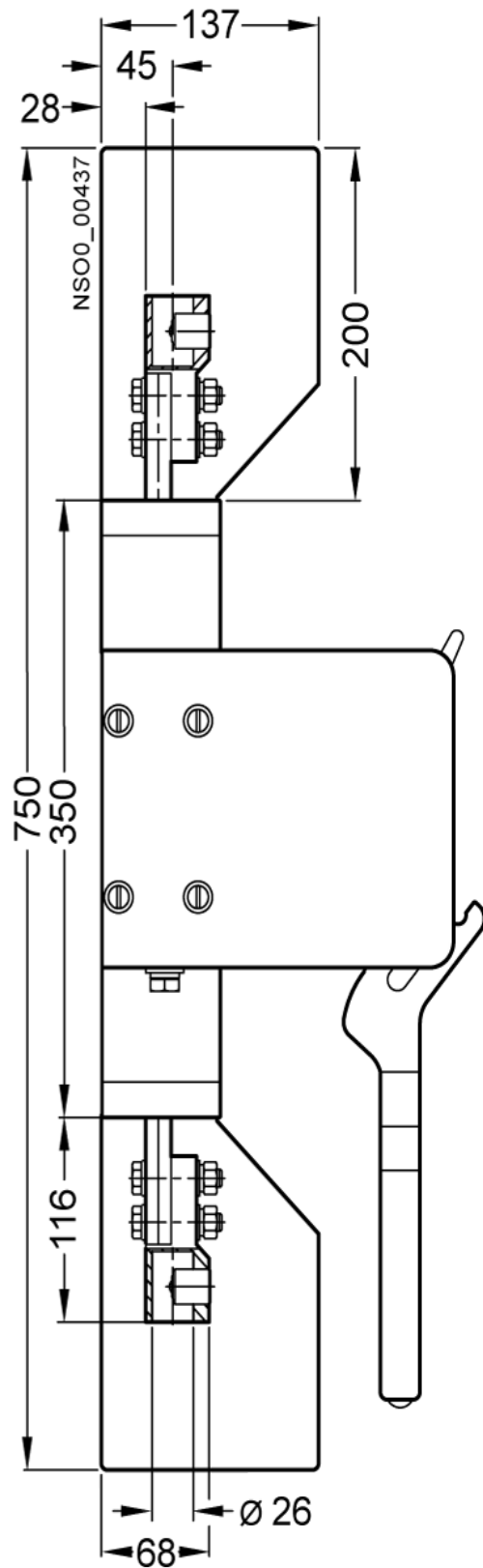
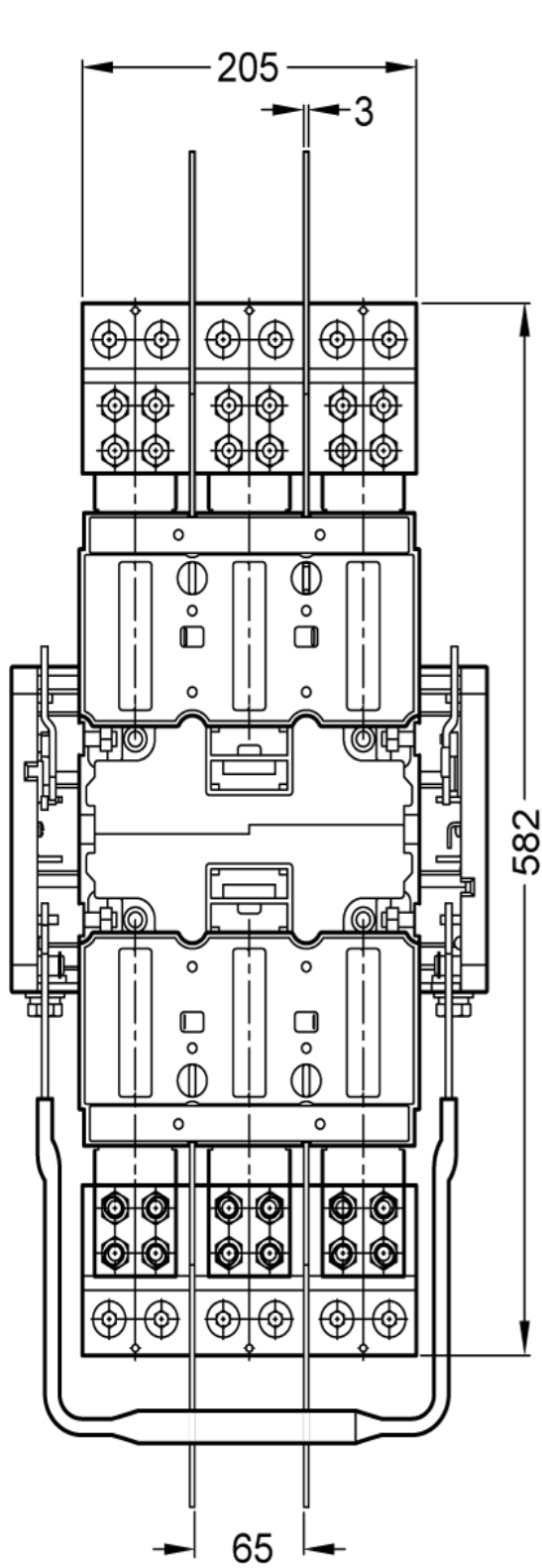
<https://www.siemens.com/cax>

#### Tender specifications

<https://www.siemens.com/specifications>

#### Characteristic curves

[https://curves.simaris.siemens.com/curves/<mmp\\_prod\\_noCOMP="HAUPT"></mmp\\_prod\\_no>](https://curves.simaris.siemens.com/curves/<mmp_prod_noCOMP=)



last modified:

6/15/2025

