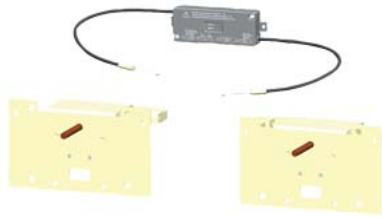


accessory for VT1000, VT1600 locking with Bowden cable for 2 MCCBs  
VT1000/1600



Model			
product brand name	SENTRON		
product designation	Interlock		
design of the product	With Bowden cable		
Accessories			
accessories	Accessory for VT1000, VT1600		
Mechanical Design			
Net Weight	2.75 kg		
Approvals Certificates			
Environment	General Product Approval	Test Certificates	other

[Environmental Con-  
firmations](#)



[Confirmation](#)



[Type Test Certific-  
ates/Test Report](#)

[Confirmation](#)

other



[Miscellaneous](#)

### Further information

Information on the packaging

<https://support.industry.siemens.com/cs/ww/en/view/109813875>

Information for data generation and storage

<https://support.industry.siemens.com/cs/ww/en/view/109995012>

Information- and Downloadcenter (Catalogs, Brochures,...)

<https://www.siemens.com/lowvoltage/catalogs>

Industry Mall (Online ordering system)

<https://mall.industry.siemens.com/mall/en/en/Catalog/product?mlfb=3VT9500-8LC10>

Service&Support (Manuals, Certificates, Characteristics, FAQs,...)

<https://support.industry.siemens.com/cs/ww/en/ps/3VT9500-8LC10>

Image database (product images, 2D dimension drawings, 3D models, device circuit diagrams, ...)

[https://www.automation.siemens.com/bilddb/cax\\_en.aspx?mlfb=3VT9500-8LC10](https://www.automation.siemens.com/bilddb/cax_en.aspx?mlfb=3VT9500-8LC10)

CAX-Online-Generator

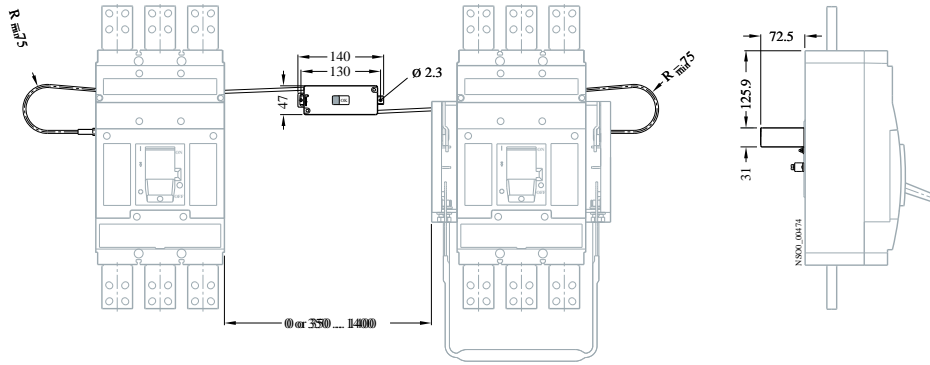
<https://www.siemens.com/cax>

Tender specifications

<https://www.siemens.com/specifications>

Characteristic curves

[https://curves.simaris.siemens.com/curves/<mmp\\_prod\\_noCOMP="HAUPT"></mmp\\_prod\\_no>](https://curves.simaris.siemens.com/curves/<mmp_prod_noCOMP=)



last modified:

6/15/2025

