

accessory for VT1000, VT1600 front connection for withdrawable version
comprises 3 connections 1 set = 3 units



Model			
product brand name	SENTRON		
product designation	Connections		
design of the product	3-pole		
Accessories			
accessories	Accessory for VT1000, VT1600		
Mechanical Design			
Net Weight	2.589 kg		
Approvals Certificates			
Environment	General Product Approval	Test Certificates	other

[Environmental Con-
firmations](#)



[Confirmation](#)



[Type Test Certific-
ates/Test Report](#)

[Confirmation](#)

other



[Miscellaneous](#)

Further information

Information on the packaging

<https://support.industry.siemens.com/cs/ww/en/view/109813875>

Information for data generation and storage

<https://support.industry.siemens.com/cs/ww/en/view/109995012>

Information- and Downloadcenter (Catalogs, Brochures,...)

<https://www.siemens.com/lowvoltage/catalogs>

Industry Mall (Online ordering system)

<https://mall.industry.siemens.com/mall/en/en/Catalog/product?mlfb=3VT9500-4EF30>

Service&Support (Manuals, Certificates, Characteristics, FAQs,...)

<https://support.industry.siemens.com/cs/ww/en/ps/3VT9500-4EF30>

Image database (product images, 2D dimension drawings, 3D models, device circuit diagrams, ...)

https://www.automation.siemens.com/bilddb/cax_en.aspx?mlfb=3VT9500-4EF30

CAx-Online-Generator

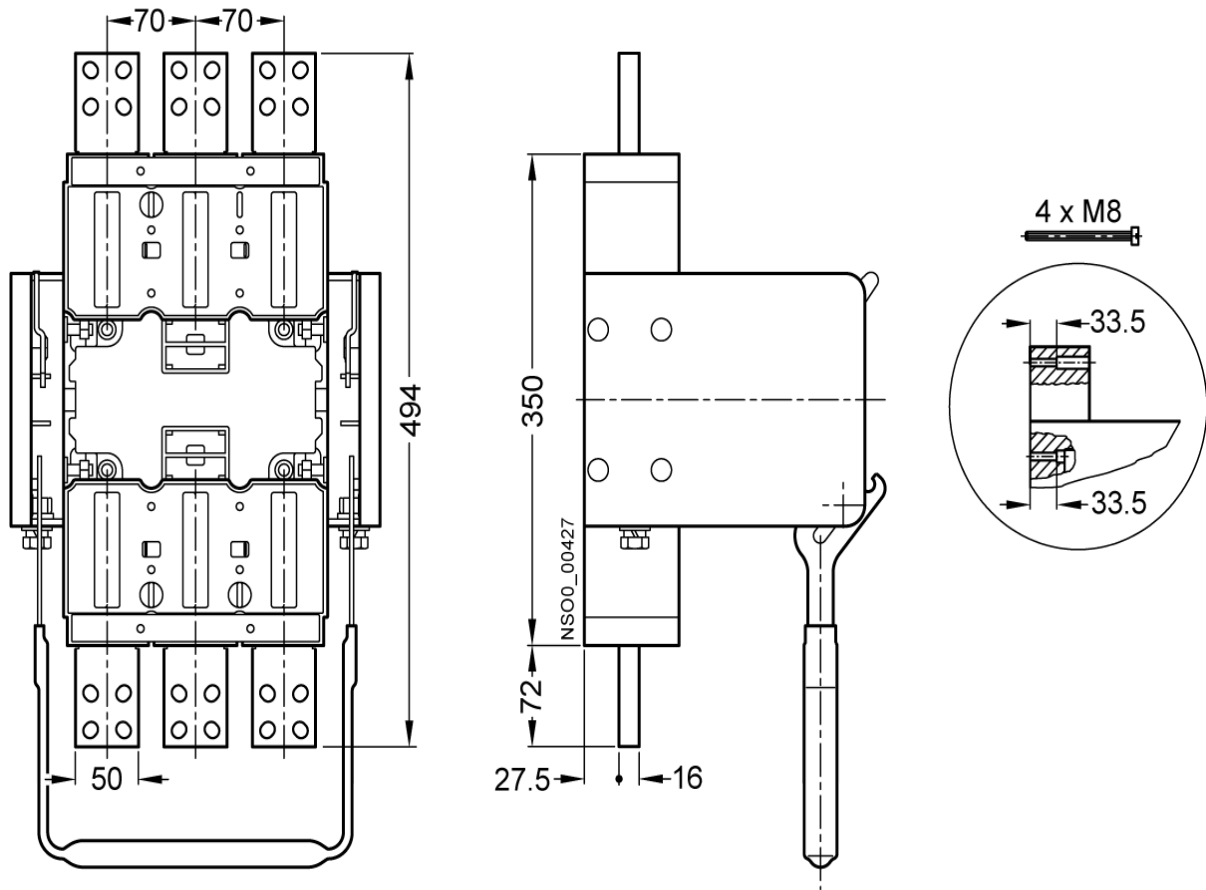
<https://www.siemens.com/cax>

Tender specifications

<https://www.siemens.com/specifications>

Characteristic curves

[https://curves.simaris.siemens.com/curves/<mmp_prod_noCOMP="HAUPT"></mmp_prod_no>](https://curves.simaris.siemens.com/curves/<mmp_prod_noCOMP=)



last modified:

6/15/2025 

