



accessory for VT1000, VT1600 handle without locking black

Model			
product brand name	SETRON		
product designation	Handle		
design of the product	Black		
Accessories			
accessories	Accessory for VT1000, VT1600		
Mechanical Design			
Net Weight	287 g		
Approvals Certificates			
Environment	General Product Approval	Test Certificates	other

[Environmental Conformations](#)



[Confirmation](#)



[Type Test Certificates/Test Report](#)

[Confirmation](#)

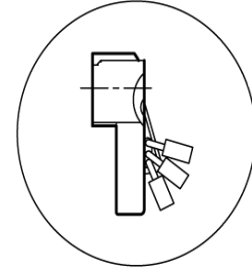
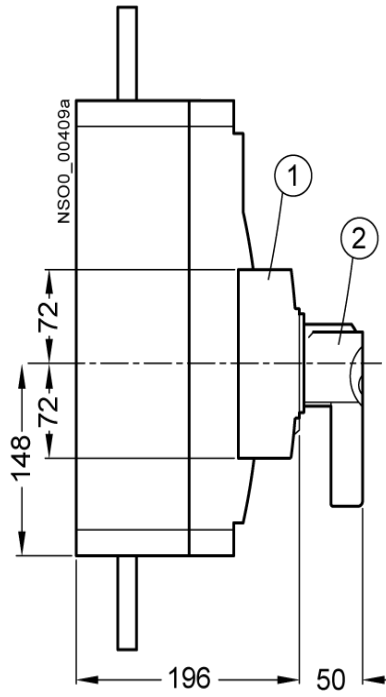
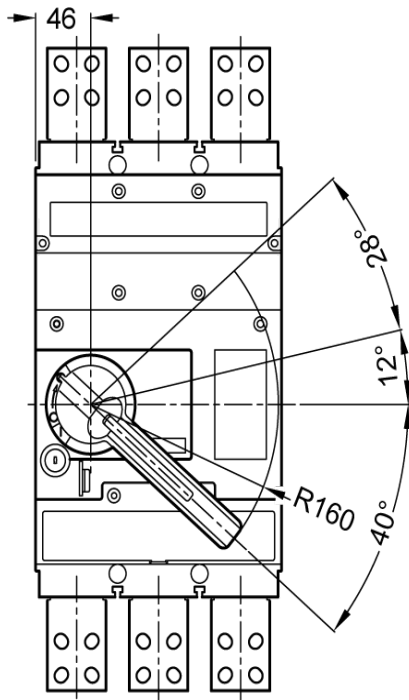
other



[Miscellaneous](#)

Further information

- Information on the packaging
<https://support.industry.siemens.com/cs/ww/en/view/109813875>
- Information for data generation and storage
<https://support.industry.siemens.com/cs/ww/en/view/109995012>
- Information- and Downloadcenter (Catalogs, Brochures,...)
<https://www.siemens.com/lowvoltage/catalogs>
- Industry Mall (Online ordering system)
<https://mall.industry.siemens.com/mall/en/en/Catalog/product?mlfb=3VT9500-3HE10>
- Service&Support (Manuals, Certificates, Characteristics, FAQs,...)
<https://support.industry.siemens.com/cs/ww/en/ps/3VT9500-3HE10>
- Image database (product images, 2D dimension drawings, 3D models, device circuit diagrams, ...)
https://www.automation.siemens.com/bilddb/cax_en.aspx?mlfb=3VT9500-3HE10
- CAx-Online-Generator
<https://www.siemens.com/cax>
- Tender specifications
<https://www.siemens.com/specifications>
- Characteristic curves
[https://curves.simaris.siemens.com/curves/<mmp_prod_noCOMP="HAUPT"></mmp_prod_no>](https://curves.simaris.siemens.com/curves/<mmp_prod_noCOMP=)



- ① 3VT9500-3HA10
- ② 3VT9500-3H.10

last modified:

6/15/2025 

