


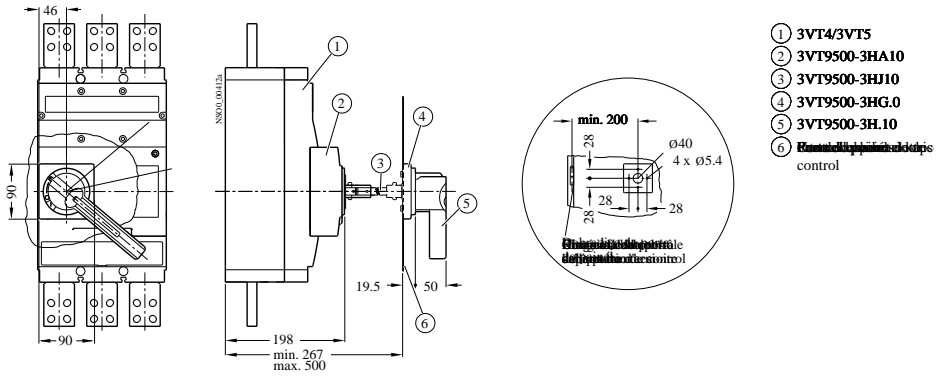


accessory for VT1000, VT1600 front mounted rotary op. w/o lock with shaft stub without knob add. shaft, masking plate and knob required



Model			
product brand name	SENTRON		
product designation	Rotary operating mechanism		
design of the product	Front mounted rotary operators		
product version	with shaft stub without knob		
Accessories			
accessories	Accessory for VT1000, VT1600		
Mechanical Design			
Net Weight	1.123 kg		
Approvals Certificates			
Environment	General Product Approval	Test Certificates	other
<a href="#">Environmental Conformations</a>		<a href="#">Confirmation</a>	
		<a href="#">Type Test Certificates/Test Report</a>	<a href="#">Confirmation</a>
other			
	<a href="#">Miscellaneous</a>		
Further information			
Information on the packaging <a href="https://support.industry.siemens.com/cs/ww/en/view/109813875">https://support.industry.siemens.com/cs/ww/en/view/109813875</a>			
Information for data generation and storage <a href="https://support.industry.siemens.com/cs/ww/en/view/109995012">https://support.industry.siemens.com/cs/ww/en/view/109995012</a>			
Information- and Downloadcenter (Catalogs, Brochures,...) <a href="https://www.siemens.com/lowvoltage/catalogs">https://www.siemens.com/lowvoltage/catalogs</a>			
Industry Mall (Online ordering system) <a href="https://mall.industry.siemens.com/mall/en/en/Catalog/product?mlfb=3VT9500-3HA10">https://mall.industry.siemens.com/mall/en/en/Catalog/product?mlfb=3VT9500-3HA10</a>			
Service&Support (Manuals, Certificates, Characteristics, FAQs,...) <a href="https://support.industry.siemens.com/cs/ww/en/ps/3VT9500-3HA10">https://support.industry.siemens.com/cs/ww/en/ps/3VT9500-3HA10</a>			
Image database (product images, 2D dimension drawings, 3D models, device circuit diagrams, ...) <a href="https://www.automation.siemens.com/bilddb/cax_en.aspx?mlfb=3VT9500-3HA10">https://www.automation.siemens.com/bilddb/cax_en.aspx?mlfb=3VT9500-3HA10</a>			
CAx-Online-Generator <a href="https://www.siemens.com/cax">https://www.siemens.com/cax</a>			
Tender specifications <a href="https://www.siemens.com/specifications">https://www.siemens.com/specifications</a>			
Characteristic curves <a haupt"&gt;&lt;="" href="https://curves.simaris.siemens.com/curves/&lt;mmp_prod_noCOMP=" mmp_prod_no&gt;"="">https://curves.simaris.siemens.com/curves/&lt;mmp_prod_noCOMP="HAUPT"&gt;&lt;/mmp_prod_no&gt;</a>			



last modified:

6/15/2025

