

accessory for VT160 interlocking with rod f. door-coupling rot. op. mech.



Model			
product brand name	SETRON		
product designation	Interlock		
design of the product	With rod		
Accessories			
accessories	Accessory for VT160		
Mechanical Design			
Net Weight	115 g		
Approvals Certificates			
Environment	General Product Approval	Test Certificates	other

[Environmental Con-
firmations](#)



[Confirmation](#)



[Type Test Certific-
ates/Test Report](#)

[Confirmation](#)

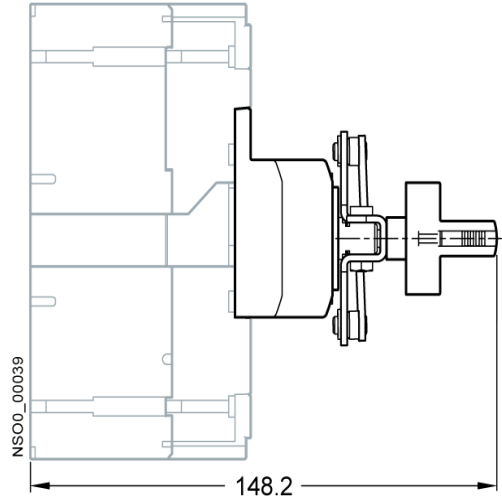
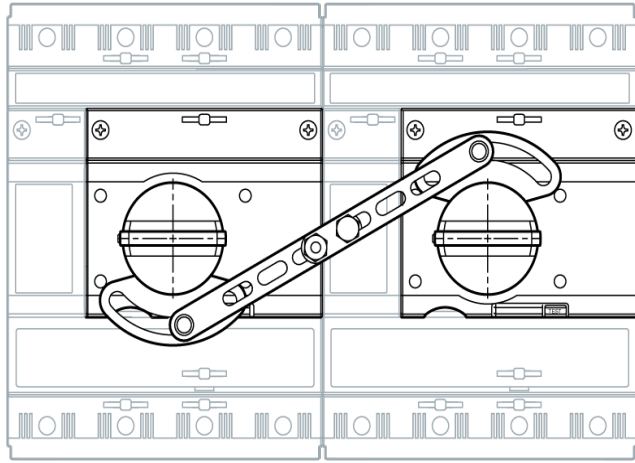
other



[Miscellaneous](#)

Further information

- Information on the packaging
<https://support.industry.siemens.com/cs/ww/en/view/109813875>
- Information for data generation and storage
<https://support.industry.siemens.com/cs/ww/en/view/109995012>
- Information- and Downloadcenter (Catalogs, Brochures,...)
<https://www.siemens.com/lowvoltage/catalogs>
- Industry Mall (Online ordering system)
<https://mall.industry.siemens.com/mall/en/en/Catalog/product?mifb=3VT9100-8LA00>
- Service&Support (Manuals, Certificates, Characteristics, FAQs,...)
<https://support.industry.siemens.com/cs/ww/en/ps/3VT9100-8LA00>
- Image database (product images, 2D dimension drawings, 3D models, device circuit diagrams, ...)
https://www.automation.siemens.com/bilddb/cax_en.aspx?mifb=3VT9100-8LA00
- CAx-Online-Generator
<https://www.siemens.com/cax>
- Tender specifications
<https://www.siemens.com/specifications>
- Characteristic curves
[https://curves.simaris.siemens.com/curves/<mmp_prod_noCOMP="HAUPT"></mmp_prod_no>](https://curves.simaris.siemens.com/curves/<mmp_prod_noCOMP=)



last modified:

6/15/2025 

