

accessory for VT160 rear connection, round comprises 3 connections short-long-short 3-pole



Model			
product brand name	SETRON		
product designation	Connection technology		
design of the product	Rear terminals		
Accessories			
accessories	Accessory for VT160		
Mechanical Design			
Net Weight	179 g		
Approvals Certificates			
Environment	General Product Approval	Test Certificates	other

[Environmental Conformations](#)



[Confirmation](#)



[Type Test Certificates/Test Report](#)

[Confirmation](#)

other



[Miscellaneous](#)

### Further information

Information on the packaging

<https://support.industry.siemens.com/cs/ww/en/view/109813875>

Information for data generation and storage

<https://support.industry.siemens.com/cs/ww/en/view/109995012>

Information- and Downloadcenter (Catalogs, Brochures,...)

<https://www.siemens.com/lowvoltage/catalogs>

Industry Mall (Online ordering system)

<https://mall.industry.siemens.com/mall/en/en/Catalog/product?mifb=3VT9100-4RC30>

Service&Support (Manuals, Certificates, Characteristics, FAQs,...)

<https://support.industry.siemens.com/cs/ww/en/ps/3VT9100-4RC30>

Image database (product images, 2D dimension drawings, 3D models, device circuit diagrams, ...)

[https://www.automation.siemens.com/bilddb/cax\\_en.aspx?mifb=3VT9100-4RC30](https://www.automation.siemens.com/bilddb/cax_en.aspx?mifb=3VT9100-4RC30)

CAX-Online-Generator

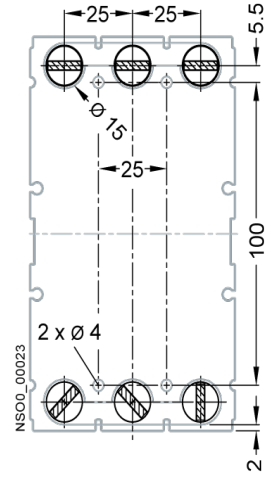
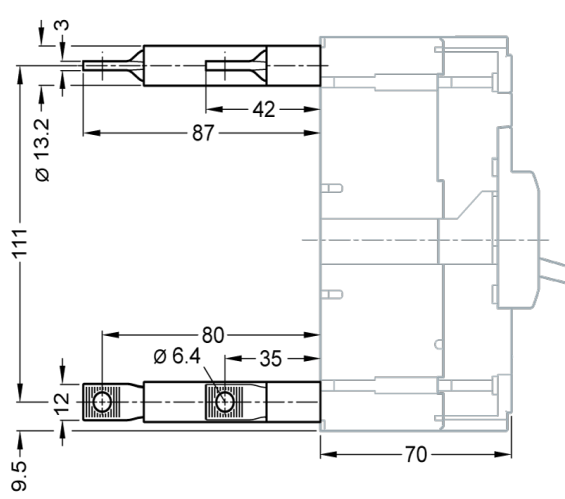
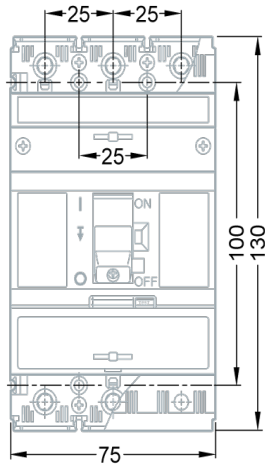
<https://www.siemens.com/cax>

Tender specifications

<https://www.siemens.com/specifications>

Characteristic curves

[https://curves.simaris.siemens.com/curves/<mmp\\_prod\\_noCOMP="HAUPT"></mmp\\_prod\\_no>](https://curves.simaris.siemens.com/curves/<mmp_prod_noCOMP=)



last modified:

6/15/2025

