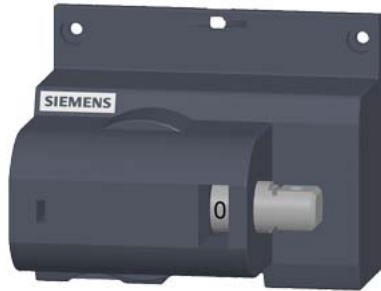


accessory for VT160 lateral rot. op. mech. w/o lock with shaft stub without knob
add. shaft, masking plate and knob required on left



Model			
product brand name	SENTRON		
product designation	Rotary operating mechanism		
design of the product	Lateral rotary operating mechanism		
product version	with shaft stub without knob		
Accessories			
accessories	Accessory for VT160		
Mechanical Design			
Net Weight	188 g		
Approvals Certificates			
Environment	General Product Approval	Test Certificates	other

[Environmental Con-
firmations](#)



[Confirmation](#)



[Type Test Certific-
ates/Test Report](#)

[Confirmation](#)

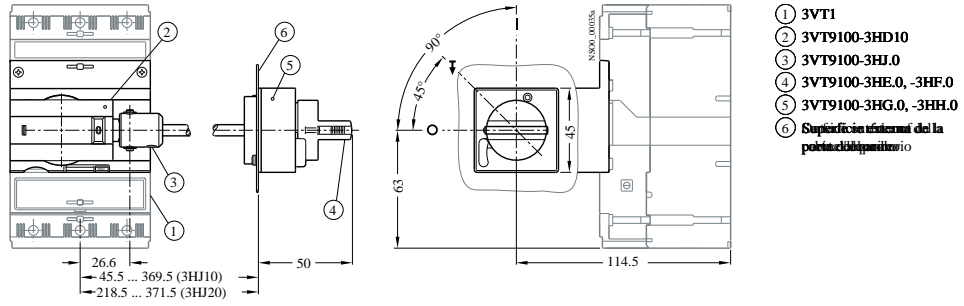
other



[Miscellaneous](#)

Further information

- Information on the packaging
<https://support.industry.siemens.com/cs/ww/en/view/109813875>
- Information for data generation and storage
<https://support.industry.siemens.com/cs/ww/en/view/109995012>
- Information- and Downloadcenter (Catalogs, Brochures,...)
<https://www.siemens.com/lowvoltage/catalogs>
- Industry Mall (Online ordering system)
<https://mall.industry.siemens.com/mall/en/en/Catalog/product?mlfb=3VT9100-3HC10>
- Service&Support (Manuals, Certificates, Characteristics, FAQs,...)
<https://support.industry.siemens.com/cs/ww/en/ps/3VT9100-3HC10>
- Image database (product images, 2D dimension drawings, 3D models, device circuit diagrams, ...)
https://www.automation.siemens.com/bilddb/cax_en.aspx?mlfb=3VT9100-3HC10
- CAX-Online-Generator
<https://www.siemens.com/cax>
- Tender specifications
<https://www.siemens.com/specifications>
- Characteristic curves
[https://curves.simaris.siemens.com/curves/<mmp_prod_noCOMP="HAUPT"></mmp_prod_no>](https://curves.simaris.siemens.com/curves/<mmp_prod_noCOMP=)



last modified:

6/15/2025

