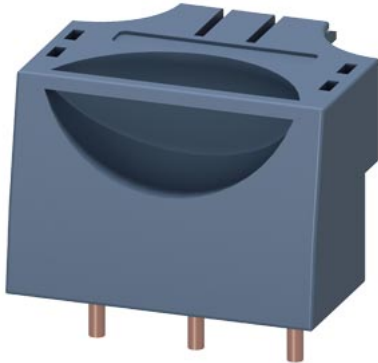


Cable connector size S00 screw terminal Multi-unit packaging 10 units



product brand name	SIRIUS
product category	Plugs, adapters and terminals
product designation	Connection plug
design of the product	Size S00
product type designation	3RV29
General technical data	
certificate of suitability	CE / UL / CSA / CCC
size of the circuit-breaker	S00
power loss [W] for rated value of the current at AC in hot operating state per pole	0.4 W
type of calculation of power loss current-dependent	quadratic
protection class IP on the front according to IEC 60529	IP20
thermal current	16 A
Substance Prohibitance (day/month/year)	10/01/2009
Net Weight	0.038 kg
number of poles for main current circuit	3
operating voltage at AC rated value	500 V
operational current rated value	16 A
ampacity maximum	16 A
UL/CSA ratings	
operating voltage at AC according to UL rated value	600 V
Ambient conditions	
ambient temperature	
• during operation	-20 ... +60 °C
• during storage	-50 ... +80 °C
Electrical Safety	
protection class IP on the front according to IEC 60529	IP20
touch protection on the front according to IEC 60529	finger-safe, for vertical contact from the front
Installation/ mounting/ dimensions	
height	42 mm
width	45 mm
depth	54 mm
Approvals Certificates	
Environmental Product Declaration	
• global warming potential [CO2 eq] / during manufacturing	0.313 kg
• global warming potential [CO2 eq] / during operation	8.72 kg
• global warming potential [CO2 eq] / after end of life	0.0218 kg
• global warming potential [CO2 eq] / total	9.06 kg
Environment	General Product Approval

[Environmental Confirmations](#)



Test Certificates

Maritime application

other

[Type Test Certificates/Test Report](#)



[Confirmation](#)

[Miscellaneous](#)

other

[Confirmation](#)

[Miscellaneous](#)



Further information

Information on the packaging

<https://support.industry.siemens.com/cs/ww/en/view/109813875>

Information for data generation and storage

<https://support.industry.siemens.com/cs/ww/en/view/109995012>

Information- and Downloadcenter (Catalogs, Brochures,...)

<https://www.siemens.com/ic10>

Industry Mall (Online ordering system)

<https://mall.industry.siemens.com/mall/en/en/Catalog/product?mlfb=3RV2917-5C>

Cax online generator

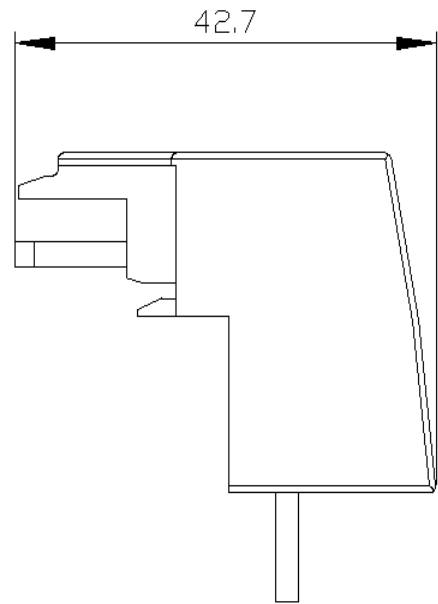
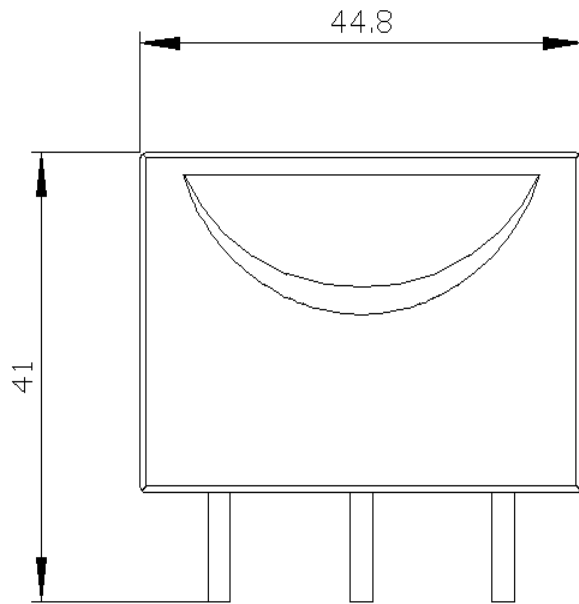
<https://support.automation.siemens.com/WW/CAXorder/default.aspx?lang=en&mlfb=3RV2917-5C>

Service&Support (Manuals, Certificates, Characteristics, FAQs,...)

<https://support.industry.siemens.com/cs/ww/en/ps/3RV2917-5C>

Image database (product images, 2D dimension drawings, 3D models, device circuit diagrams, EPLAN macros, ...)

https://www.automation.siemens.com/bilddb/cax_de.aspx?mlfb=3RV2917-5C&lang=en



last modified:

10/30/2025 