

Auxiliary switch transverse 1 NO+1 NC ring cable lug connection for circuit breaker 3RV2

product brand name	SIRIUS
product category	Auxiliary switch
product designation	auxiliary switch
design of the product	transverse auxiliary switches
<b>General technical data</b>	
certificate of suitability	CE / UL / CSA / CCC
size of the circuit-breaker	S00, S0, S2, S3
display version LED	No
insulation voltage rated value	300 V
degree of pollution	3
surge voltage resistance rated value	4 kV
protection class IP on the front <ul style="list-style-type: none"> <li>• according to IEC 60529</li> <li>•</li> </ul>	IP00 IP20
reference code according to IEC 81346-2	Q
Substance Prohibitance (day/month/year)	10/01/2009
Net Weight	0.02 kg
number of NC contacts for auxiliary contacts instantaneous contact	1
number of NO contacts for auxiliary contacts instantaneous contact	1
number of CO contacts of auxiliary contacts instantaneous contact	0
operational current of auxiliary contacts at AC-12 <ul style="list-style-type: none"> <li>• at 24 V</li> <li>• at 230 V</li> </ul>	2.5 A 2.5 A
operational current of auxiliary contacts at AC-12 maximum	2.5 A
operational current of auxiliary contacts at AC-15 <ul style="list-style-type: none"> <li>• at 24 V</li> <li>• at 230 V</li> </ul>	2 A 0.5 A
operational current of auxiliary contacts at DC-13 <ul style="list-style-type: none"> <li>• at 24 V</li> <li>• at 48 V</li> <li>• at 60 V</li> </ul>	1 A 0.3 A 0.15 A
<b>Ambient conditions</b>	
ambient temperature <ul style="list-style-type: none"> <li>• during operation</li> <li>• during storage</li> </ul>	-20 ... +60 °C -50 ... +80 °C
<b>Electrical Safety</b>	
protection class IP on the front according to IEC 60529	IP00; IP20 with cover
touch protection on the front according to IEC 60529	finger-safe, for vertical contact from the front with cover
<b>Installation/ mounting/ dimensions</b>	
fastening method	plug-in fixing
height	12 mm
width	45 mm
depth	17 mm
<b>Connections/ Terminals</b>	
type of electrical connection for auxiliary and control circuit	ring terminal lug connection
<b>Approvals Certificates</b>	
Environmental Product Declaration	

- global warming potential [CO2 eq] / during manufacturing 0.238 kg
- global warming potential [CO2 eq] / during operation 4.2 kg
- global warming potential [CO2 eq] / after end of life 0.0053 kg
- global warming potential [CO2 eq] / total 4.44 kg

Environment	General Product Approval				
-------------	--------------------------	--	--	--	--

[Environmental Confirmations](#)



General Product Approval	Test Certificates	Maritime application			
--------------------------	-------------------	----------------------	--	--	--



[Type Test Certificates/Test Report](#)

[Special Test Certificate](#)



Maritime application	other			
----------------------	-------	--	--	--



[Confirmation](#)

[Miscellaneous](#)

other	Railway			
-------	---------	--	--	--

[Confirmation](#)

[Miscellaneous](#)



[Special Test Certificate](#)

[Confirmation](#)

Further information
---------------------

Information on the packaging

<https://support.industry.siemens.com/cs/ww/en/view/109813875>

Information for data generation and storage

<https://support.industry.siemens.com/cs/ww/en/view/109995012>

Information- and Downloadcenter (Catalogs, Brochures,...)

<https://www.siemens.com/ic10>

Industry Mall (Online ordering system)

<https://mall.industry.siemens.com/mall/en/en/Catalog/product?mlfb=3RV2901-4E>

Cax online generator

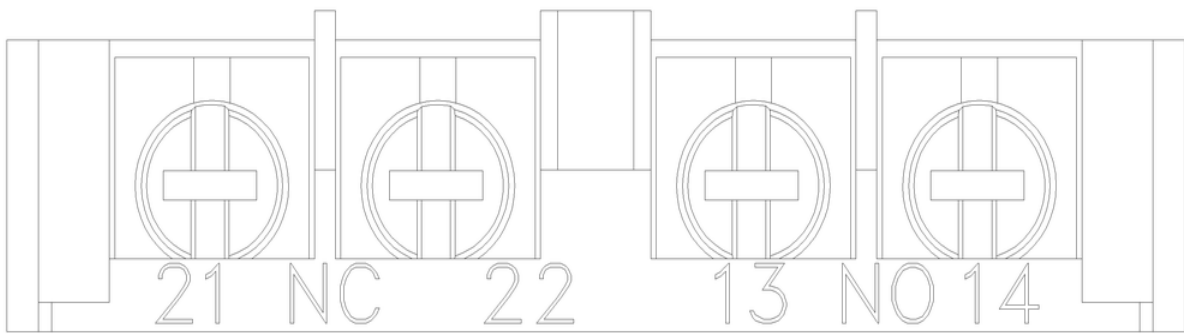
<https://support.automation.siemens.com/WW/CAXorder/default.aspx?lang=en&mlfb=3RV2901-4E>

Service&Support (Manuals, Certificates, Characteristics, FAQs,...)

<https://support.industry.siemens.com/cs/ww/en/ps/3RV2901-4E>

Image database (product images, 2D dimension drawings, 3D models, device circuit diagrams, EPLAN macros, ...)

[https://www.automation.siemens.com/bilddb/cax\\_de.aspx?mlfb=3RV2901-4E&lang=en](https://www.automation.siemens.com/bilddb/cax_de.aspx?mlfb=3RV2901-4E&lang=en)



---

last modified:

4/2/2025 