

cable connector for circuit breaker frame size S0 with screw terminal (single-unit packaging)

product brand name	SIRIUS
product category	Infeed systems
product designation	Connection plug
product type designation	3RV19
suitability for use	circuit-breakers 3RV2
General technical data	
size of the circuit-breaker	S0
power loss [W] for rated value of the current at AC in hot operating state per pole	1.6 W
type of calculation of power loss current-dependent	quadratic
protection class IP on the front according to IEC 60529	IP20
thermal current	32 A
Substance Prohibitance (day/month/year)	07/01/2006
Net Weight	0.046 kg
number of poles for main current circuit	3
operating voltage at AC rated value	690 V
operational current rated value	32 A
UL/CSA ratings	
operating voltage at AC according to UL rated value	600 V
Electrical Safety	
protection class IP on the front according to IEC 60529	IP20
touch protection on the front according to IEC 60529	finger-safe, for vertical contact from the front
Short-circuit protection	
short-circuit rating	see table in the operating instructions
Connections/ Terminals	
type of electrical connection for main current circuit	plug-in without terminals
Approvals Certificates	
Environmental Product Declaration	
<ul style="list-style-type: none"> global warming potential [CO2 eq] / during manufacturing global warming potential [CO2 eq] / during operation global warming potential [CO2 eq] / after end of life global warming potential [CO2 eq] / total 	<ul style="list-style-type: none"> 0.313 kg 8.72 kg 0.0218 kg 9.06 kg
Environment	General Product Approval

[Environmental Conformations](#)



Test Certificates **Maritime application**

[Special Test Certificate](#)



Maritime application **other** **Railway**



[Miscellaneous](#)

[Confirmation](#)

[Miscellaneous](#)



[Special Test Certificate](#)

Further information

Information on the packaging

<https://support.industry.siemens.com/cs/ww/en/view/109813875>

Information for data generation and storage

<https://support.industry.siemens.com/cs/ww/en/view/109995012>

Information- and Downloadcenter (Catalogs, Brochures,...)

<https://www.siemens.com/ic10>

Industry Mall (Online ordering system)

<https://mall.industry.siemens.com/mall/en/en/Catalog/product?mlfb=3RV1927-5AA00>

Cax online generator

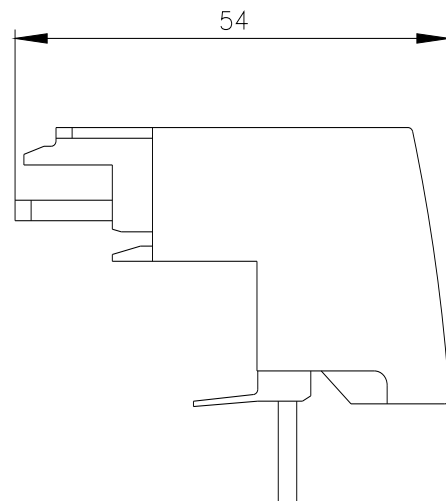
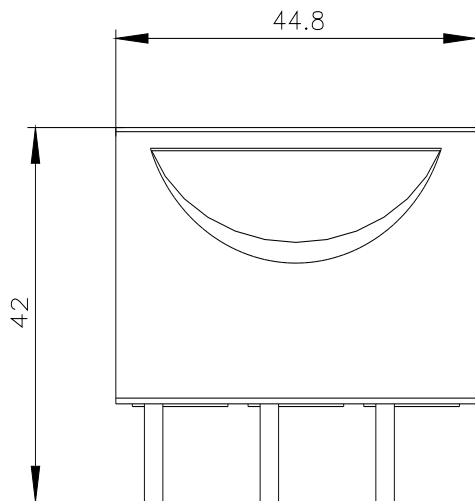
<https://support.automation.siemens.com/WW/CAXorder/default.aspx?lang=en&mlfb=3RV1927-5AA00>

Service&Support (Manuals, Certificates, Characteristics, FAQs,...)

<https://support.industry.siemens.com/cs/ww/en/ps/3RV1927-5AA00>

Image database (product images, 2D dimension drawings, 3D models, device circuit diagrams, EPLAN macros, ...)

https://www.automation.siemens.com/bilddb/cax_de.aspx?mlfb=3RV1927-5AA00&lang=en



last modified:

10/18/2025