

cable connector for circuit breaker size S0 with screw terminal multi-unit packaging  
10 units

<b>product brand name</b>	SIRIUS
<b>product category</b>	Infeed systems
<b>product designation</b>	Connection plug
<b>product type designation</b>	3RV19
<b>suitability for use</b>	circuit-breakers 3RV2
<b>General technical data</b>	
<b>size of the circuit-breaker</b>	S0
power loss [W] for rated value of the current at AC in hot operating state per pole	1.6 W
<b>type of calculation of power loss current-dependent</b>	quadratic
protection class IP on the front according to IEC 60529	IP20
<b>thermal current</b>	32 A
<b>Substance Prohibitance (day/month/year)</b>	07/01/2006
<b>Net Weight</b>	0.039 kg
<b>number of poles for main current circuit</b>	3
operating voltage at AC rated value	690 V
<b>operational current rated value</b>	32 A
<b>UL/CSA ratings</b>	
operating voltage at AC according to UL rated value	600 V
<b>Ambient conditions</b>	
ambient temperature during operation	-20 ... +60 °C
<b>Electrical Safety</b>	
<b>protection class IP on the front according to IEC 60529</b>	IP20
<b>touch protection on the front according to IEC 60529</b>	finger-safe, for vertical contact from the front
<b>Short-circuit protection</b>	
<b>short-circuit rating</b>	see table in the operating instructions
<b>Installation/ mounting/ dimensions</b>	
<b>mounting position</b>	any
<b>fastening method</b>	screw connection in the circuit breaker, pluggable in the infeed system with spring-loaded mechanism
<b>height</b>	42 mm
<b>width</b>	44.8 mm
<b>depth</b>	54 mm
<b>Connections/ Terminals</b>	
type of electrical connection for main current circuit	screw-type terminals
<b>Approvals Certificates</b>	
Environmental Product Declaration	
<ul style="list-style-type: none"> <li>global warming potential [CO2 eq] / during manufacturing</li> <li>global warming potential [CO2 eq] / during operation</li> </ul>	0.313 kg 8.72 kg

- global warming potential [CO2 eq] / after end of life
- global warming potential [CO2 eq] / total

0.0218 kg  
9.06 kg

Environment	General Product Approval				
-------------	--------------------------	--	--	--	--

[Environmental Con-  
firmations](#)



Test Certificates	Maritime application	other		
-------------------	----------------------	-------	--	--

[Type Test Certific-  
ates/Test Report](#)

[Special Test Certific-  
ate](#)



[Miscellaneous](#)

[Confirmation](#)

other



Further information

Information on the packaging

<https://support.industry.siemens.com/cs/ww/en/view/109813875>

Information for data generation and storage

<https://support.industry.siemens.com/cs/ww/en/view/109995012>

Information- and Downloadcenter (Catalogs, Brochures,...)

<https://www.siemens.com/ic10>

Industry Mall (Online ordering system)

<https://mall.industry.siemens.com/mall/en/en/Catalog/product?mlfb=3RV1927-5A>

Cax online generator

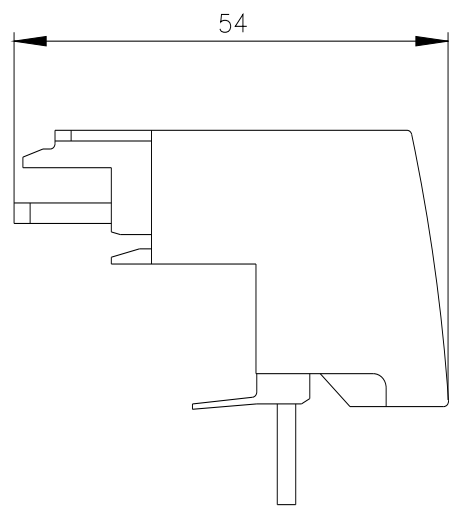
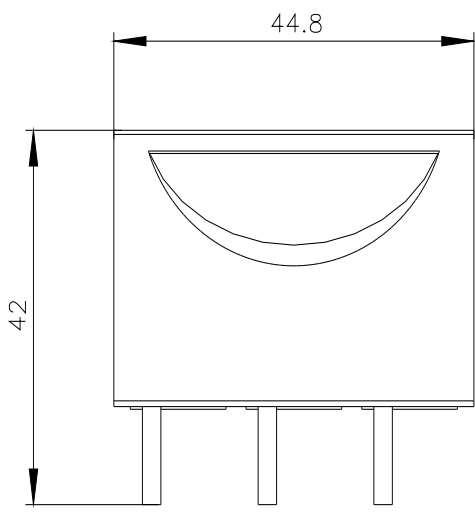
<https://support.automation.siemens.com/WW/CAXorder/default.aspx?lang=en&mlfb=3RV1927-5A>

Service&Support (Manuals, Certificates, Characteristics, FAQs,...)

<https://support.industry.siemens.com/cs/ww/en/ps/3RV1927-5A>

Image database (product images, 2D dimension drawings, 3D models, device circuit diagrams, EPLAN macros, ...)

[https://www.automation.siemens.com/bilddb/cax\\_de.aspx?mlfb=3RV1927-5A&lang=en](https://www.automation.siemens.com/bilddb/cax_de.aspx?mlfb=3RV1927-5A&lang=en)



---

last modified:

6/30/2025 