

cable connector for circuit breaker 3RV1011 with screw terminal (individual unit packaging)

product brand name	SIRIUS
product category	Infeed systems
product designation	Connection plug
product type designation	3RV19
suitability for use	circuit breaker 3RV1

General technical data

size of the circuit-breaker	S00
power loss [W] for rated value of the current at AC in hot operating state per pole	0.22 W
type of calculation of power loss current-dependent	quadratic
protection class IP on the front according to IEC 60529	IP20
thermal current	12 A
Substance Prohibitance (day/month/year)	07/01/2006
Net Weight	0.036 kg
number of poles for main current circuit	3
operating voltage at AC rated value	500 V
operational current rated value	12 A

UL/CSA ratings

operating voltage at AC according to UL rated value	600 V
Electrical Safety	
protection class IP on the front according to IEC 60529	IP20
touch protection on the front according to IEC 60529	finger-safe, for vertical contact from the front

Short-circuit protection

short-circuit rating	see table in the operating instructions
----------------------	---

Connections/ Terminals

type of electrical connection for main current circuit	plug-in without terminals
--	---------------------------

Approvals Certificates

Environmental Product Declaration	
<ul style="list-style-type: none"> global warming potential [CO2 eq] / during manufacturing global warming potential [CO2 eq] / during operation global warming potential [CO2 eq] / after end of life global warming potential [CO2 eq] / total 	<ul style="list-style-type: none"> 0.313 kg 8.72 kg 0.0218 kg 9.06 kg

Environment General Product Approval

[Environmental Confirmations](#)



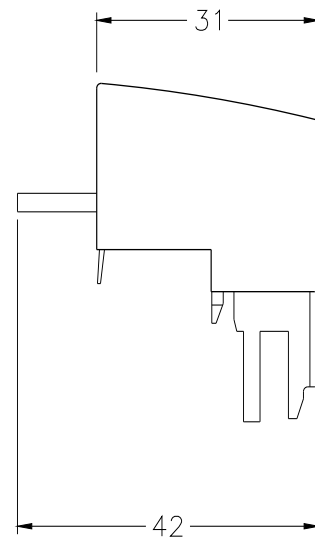
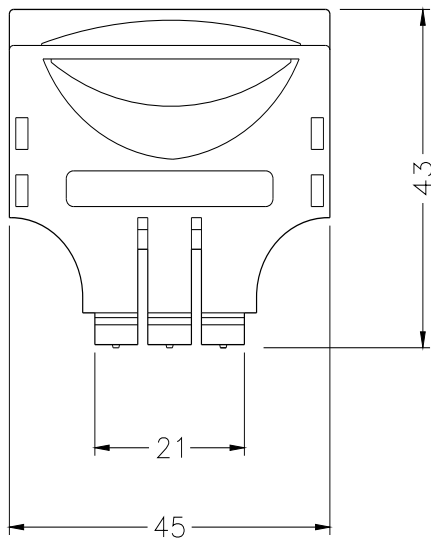
Test Certificates Maritime application other

[Special Test Certificate](#)



[Confirmation](#)

other Railway

**Further information****Information on the packaging**<https://support.industry.siemens.com/cs/ww/en/view/109813875>**Information for data generation and storage**<https://support.industry.siemens.com/cs/ww/en/view/109995012>**Information- and Downloadcenter (Catalogs, Brochures,...)**<https://www.siemens.com/ic10>**Industry Mall (Online ordering system)**<https://mall.industry.siemens.com/mall/en/en/Catalog/product?mlfb=3RV1917-5CA00>**Cax online generator**<https://support.automation.siemens.com/WW/CAXorder/default.aspx?lang=en&mlfb=3RV1917-5CA00>**Service&Support (Manuals, Certificates, Characteristics, FAQs,...)**<https://support.industry.siemens.com/cs/ww/en/ps/3RV1917-5CA00>**Image database (product images, 2D dimension drawings, 3D models, device circuit diagrams, EPLAN macros, ...)**https://www.automation.siemens.com/bilddb/cax_de.aspx?mlfb=3RV1917-5CA00&lang=en

last modified:

10/18/2025