

RoHS
Compliant



Input Characteristics

Input Voltage

Rated Input Voltage : 100V AC to 240V AC

Variable Input Voltage : 90V AC to 264V AC

Input Current

0.4A max when input rated voltage and output rated load

Input Frequency

Rate Frequency : 50/60Hz

Variation Frequency : 47Hz to 63Hz

In-rush Current

60 Amps Max. Cold start at 240V AC input ,with rated load and 25°C ambient

AC Leakage Current

0.25mA Max. @ 240V AC input

Output Characteristics

Rated Output Power : 12W

Voltage : +12V

Max. Load : 1A

Load Regulation : 11.4V to 12.6V

Unload Output Voltage : 12V to 12.6V

Efficiency

115V AC input, the average efficiency $\geq 82.96\%$ output rated load is 25%, 50%, 75%, 100% 4 situations of average efficiency

230V AC input, the average efficiency $\geq 82.96\%$ output rated load is 25%, 50%, 75%, 100% 4 situations of average efficiency

Unload standby Power : 0.1W Max.

Ripple & Noise

Measurement is done by 20MHz bandwidth oscilloscope and the output paralleled a 0.1 μ F ceramic capacitor and a 47 μ F electrolysis capacitor. (Test under the condition of rated input and rated output)

Voltage : +12V

Current : 1000mA

Ripple And Noise (Max) : 120m Vp-p

Turn On Delay Time

+3 second Max. @ 100V AC input and output Max. Load

Rise Time

100ms Max. @ 100V AC input and output Max. Load

Hold Up Time

5ms Min. @ 100V AC input and output Max. Load.

Overshoot

10% Max. When power supply on or turn off.

Environmental Requirements

Operating Temperature : 0°C to +40°C (Full Load, Normal operation)

Storage temperature : -10°C to +55°C

Relative Humidity : 5% (0°C) to 90% (40°C) 72h (Full Load, Normal operation)

Vibration : Operating: IEC 721-3-3 3M3; 5~9Hz, A=1.5mm (9~200Hz, Acceleration 5m/s)

Newark.com/exclusive-brands

Farnell.com/exclusive-brands

Element14.com/exclusive-brands

Mechanical Characteristics

Cable Flexing Testing

The DC cord weight of 200g, its swings angle 60° and 2000 cycle and also bending speed timing will be 40 cycle per minute.

Safety Standard

Safety Accord with IEC60950, EN60950, UL60950, GB4943

Note: AC pins corresponding corresponding corresponding to national standards, such as the CE that corresponds to EN60950; 3000V AC

Dielectric Strength Hi-Pot

Primary to secondary, 3000V AC/5mA/5s.

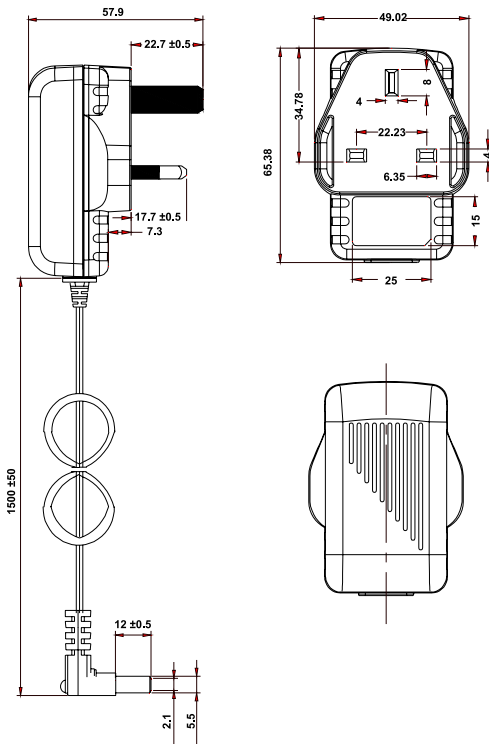
Insulation Resistance

Primary to secondary : 10MΩ Min at 500V DC

Volume : 65.38mm × 49.02mm × 35.17mm (L×W×H)

Weight : 102.9g ±10g

Diagram



Dimensions : Millimetres
Tolerance: ±0.2mm

Part Number Table

Description	Part Number
AC/DC Power Supply, ITE, 1 Output, 12W, 12V, 1A, Right Angle 2.1mm Plug	PEL00400

Important Notice : This data sheet and its contents (the "Information") belong to the members of the AVNET group of companies (the "Group") or are licensed to it. No licence is granted for the use of it other than for information purposes in connection with the products to which it relates. No licence of any intellectual property rights is granted. The Information is subject to change without notice and replaces all data sheets previously supplied. The Information supplied is believed to be accurate but the Group assumes no responsibility for its accuracy or completeness, any error in or omission from it or for any use made of it. Users of this data sheet should check for themselves the Information and the suitability of the products for their purpose and not make any assumptions based on information included or omitted. Liability for loss or damage resulting from any reliance on the Information or use of it (including liability resulting from negligence or where the Group was aware of the possibility of such loss or damage arising) is excluded. This will not operate to limit or restrict the Group's liability for death or personal injury resulting from its negligence. pro-ELEC is the registered trademark of Premier Farnell Limited 2019.