



Enclosure for command devices, 22 mm, round, Enclosure material metal, enclosure top part gray, with protective collar for 5 padlocks, and mushroom diameter 60 mm, 1 control point, without equipment, floor mounting, 1xM20 each on top and bottom

product brand name	SIRIUS ACT
product designation	Enclosures
product type designation	3SU1
Enclosure	
design of the housing	With protective collar for 5 padlocks, mushroom 60 mm
shape of the enclosure front	Square
material of the enclosure	metal
number of command points	1
product component protective collar	Yes
color of the enclosure top part	grey
fastening method of the enclosure	Vertical
General technical data	
protection class IP	IP66, IP67, IP69(IP69K)
degree of protection NEMA rating	1, 2, 3, 3R, 4, 4X, 12, 13
shock resistance for railway applications according to EN 61373	Category 1, Class B
vibration resistance for railway applications according to EN 61373	Category 1, Class B
Substance Prohibittance (day/month/year)	10/01/2014
SVHC substance name	Lead CAS-No. 7439-92-1
Net Weight	582 g
cable entry type	Without
Connections/ Terminals	
type of electrical connection on enclosure	Cable routing above and below, both 1 x M20
tightening torque of fixing screws in the enclosure cover	1.5 ... 1.7 N·m
Ambient conditions	
ambient temperature	
• during operation	-25 ... +70 °C
• during storage	-40 ... +80 °C
environmental category during operation according to IEC 60721	3M6, 3S2, 3B2, 3C3, 3K6 (with relative air humidity of 10 ... 95%, no condensation in operation permitted for all devices behind front panel)
Installation/ mounting/ dimensions	
fastening method of modules and accessories	Floor mounting
height	89.4 mm
width	85 mm
depth	112.5 mm
mounting diameter	22.3 mm

positive tolerance of installation diameter	0.4 mm
---	--------

Approvals Certificates

Environmental Product Declaration	
<ul style="list-style-type: none"> global warming potential [CO2 eq] / during manufacturing global warming potential [CO2 eq] / during operation global warming potential [CO2 eq] / after end of life global warming potential [CO2 eq] / total 	<ul style="list-style-type: none"> 0.625 kg 0.235 kg -0.267 kg 0.593 kg

Environment	General Product Approval
-------------	--------------------------

[Environmental Confirmations](#)



General Product Approval	Test Certificates	Maritime application
--------------------------	-------------------	----------------------



[Type Test Certificates/Test Report](#)



other

[Confirmation](#)



Further information

Information on the packaging

<https://support.industry.siemens.com/cs/ww/en/view/109813875>

Information for data generation and storage

<https://support.industry.siemens.com/cs/ww/en/view/109995012>

Information- and Downloadcenter (Catalogs, Brochures,...)

<https://www.siemens.com/ic10>

Industry Mall (Online ordering system)

<https://mall.industry.siemens.com/mall/en/en/Catalog/product?mlfb=3SU1851-0AA00-0AH1>

Cax online generator

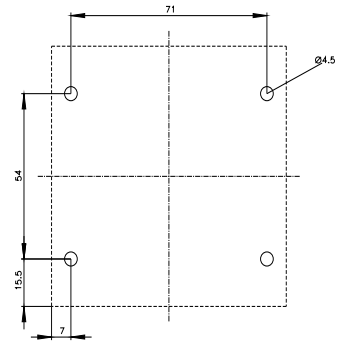
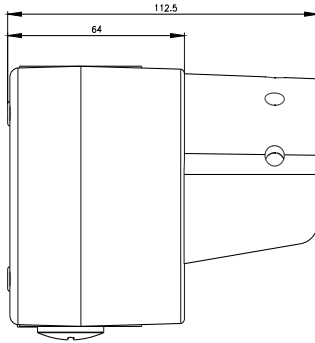
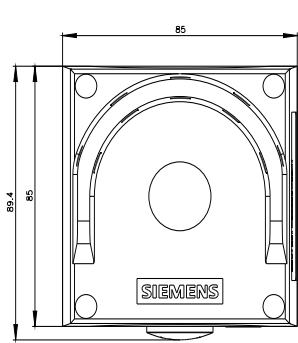
<https://support.automation.siemens.com/WW/CAXorder/default.aspx?lang=en&mlfb=3SU1851-0AA00-0AH1>

Service&Support (Manuals, Certificates, Characteristics, FAQs,...)

<https://support.industry.siemens.com/cs/ww/en/ps/3SU1851-0AA00-0AH1>

Image database (product images, 2D dimension drawings, 3D models, device circuit diagrams, EPLAN macros, ...)

https://www.automation.siemens.com/bilddb/cax_de.aspx?mlfb=3SU1851-0AA00-0AH1&lang=en



last modified:

4/2/2025 