



Accessory for 3KF size 5 Direct operating mechanism, red/yellow Can be locked in OFF position with three padlocks

Model	
product brand name	SETRON
product designation	Accessories for switch disconnectors
design of the product	Direct operating mechanism
suitability for use	For 3KF size 5
color of the actuating element	'red/yellow
product description	Lockable with up to 3 locks
product feature can be locked into OFF position	Yes
accessories	Direct operating mechanism

Mechanical Design	
Net Weight	1.979 kg

Certificates	
reference code according to IEC 81346-2	Q

Approvals Certificates	
Environment	General Product Approval

[Environmental Con-
firmations](#)

[Environmental Con-
firmations](#)



[Miscellaneous](#)



[Confirmation](#)

General Product Approval	Test Certificates	Maritime application	other
--------------------------	-------------------	----------------------	-------



[Type Test Certific-
ates/Test Report](#)



[Confirmation](#)

[Miscellaneous](#)

other



Further information

Information on the packaging

<https://support.industry.siemens.com/cs/ww/en/view/109813875>

Information for data generation and storage

<https://support.industry.siemens.com/cs/ww/en/view/109995012>

Information- and Downloadcenter (Catalogs, Brochures,...)

<https://www.siemens.com/lowvoltage/catalogs>

Industry Mall (Online ordering system)

<https://mall.industry.siemens.com/mall/en/en/Catalog/product?mifb=3KF9501-2AA00>

Service&Support (Manuals, Certificates, Characteristics, FAQs,...)

<https://support.industry.siemens.com/cs/ww/en/ps/3KF9501-2AA00>

Image database (product images, 2D dimension drawings, 3D models, device circuit diagrams, ...)

https://www.automation.siemens.com/bilddb/cax_en.aspx?mifb=3KF9501-2AA00

CAX-Online-Generator

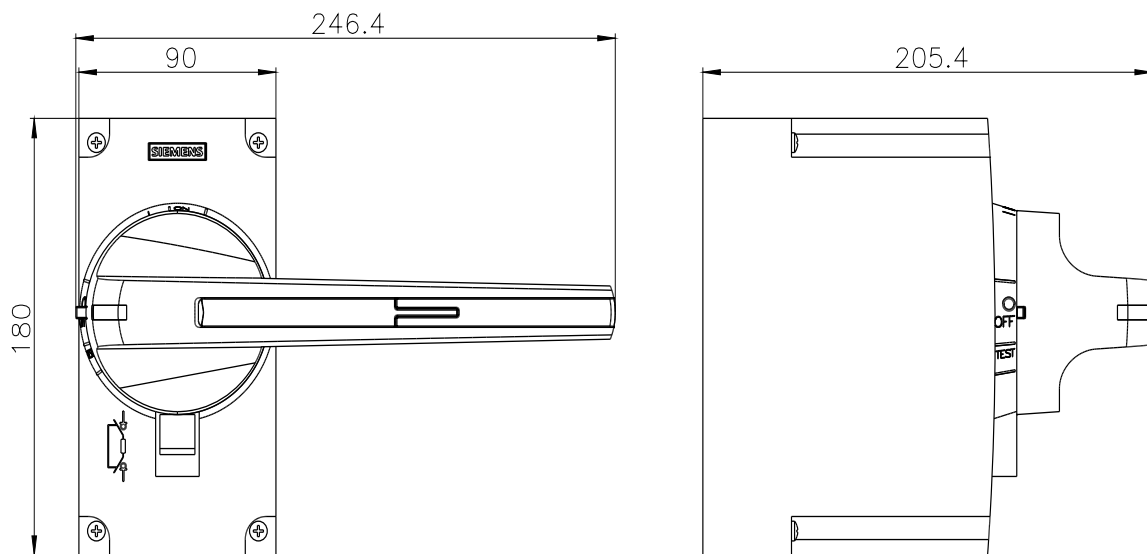
<https://www.siemens.com/cax>

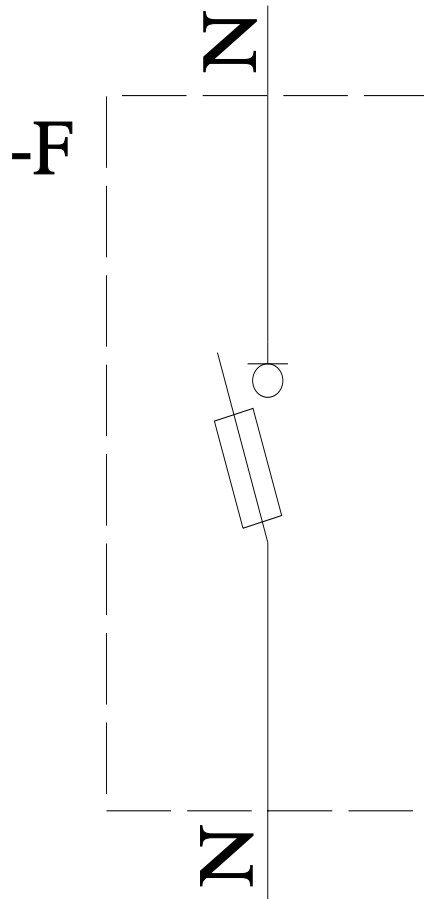
Tender specifications

<https://www.siemens.com/specifications>

Characteristic curves

https://curves.simaris.siemens.com/curves/<mmp_prod_noCOMP='HAUPT'></mmp_prod_no>





last modified:

4/3/2025 