

accessories for switch disconnecter 3KD size 5 flat connector for 4 circular conductor cable for CU (max. current 1600 A) and AL (max. current 1260 A) contains 1 unit

Model	
product brand name	SENTRON
product designation	Accessories for switch disconnectors
design of the product	circular conductor terminal
suitability for use	3KD/C0 size 5
product description	Contains 1 unit

Connections	
type of electrical connection for main current circuit	flat connector

Mechanical Design	
Net Weight	1.039 kg

Approvals Certificates	
Environment	General Product Approval

[Environmental Confirmations](#)

[Environmental Confirmations](#)

[Miscellaneous](#)



[Confirmation](#)



General Product Approval	Test Certificates	other
	Type Test Certificates/Test Report	

[Confirmation](#)

[Miscellaneous](#)

Further information

Information on the packaging

<https://support.industry.siemens.com/cs/ww/en/view/109813875>

Information for data generation and storage

<https://support.industry.siemens.com/cs/ww/en/view/109995012>

Information- and Downloadcenter (Catalogs, Brochures,...)

<https://www.siemens.com/lowvoltage/catalogs>

Industry Mall (Online ordering system)

<https://mall.industry.siemens.com/mall/en/en/Catalog/product?mlfb=3KD9511-1>

Service&Support (Manuals, Certificates, Characteristics, FAQs,...)

<https://support.industry.siemens.com/cs/ww/en/ps/3KD9511-1>

Image database (product images, 2D dimension drawings, 3D models, device circuit diagrams, ...)

https://www.automation.siemens.com/bilddb/cax_en.aspx?mlfb=3KD9511-1

CAX-Online-Generator

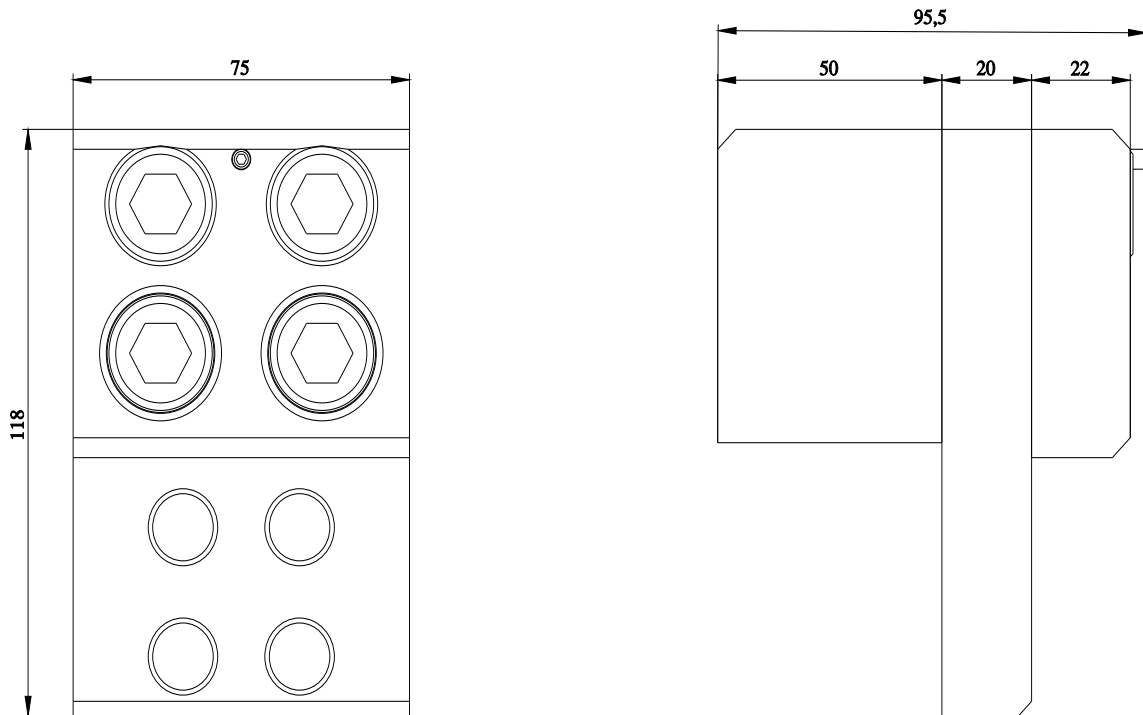
<https://www.siemens.com/cax>

Tender specifications

<https://www.siemens.com/specifications>

Characteristic curves

https://curves.simaris.siemens.com/curves/<mmp_prod_noCOMP='HAUPT'></mmp_prod_no>



last modified:

4/3/2025 

