



accessory for 3KD size 4 direct operating mechanism, for front operating mechanism, red/yellow, standard version can be locked in off position with three padlocks

Model	
product brand name	SETRON
product designation	Accessories for switch disconnectors
design of the product	Direct operating mechanism
type of the driving mechanism	Manual operating mechanism
protection class IP on the front	IP30
Suitability	
suitability for use	For 3KD, size 4
Appearance	
color of the actuating element	Red/Yellow
Product details	
product feature interlock	Yes
product feature can be locked into OFF position	Yes
display version for switch position indicator	ON-OFF-TEST
Mechanical Design	
height	145 mm
width	177 mm
depth	107 mm
Net Weight	0.574 kg
Approvals Certificates	
Environment	General Product Approval

[Environmental Conformations](#)

[Environmental Conformations](#)



[Miscellaneous](#)



[Confirmation](#)

General Product Approval

Test Certificates

Maritime application

other



[Type Test Certificates/Test Report](#)



[Confirmation](#)



other

[Miscellaneous](#)

Further information

Information on the packaging

<https://support.industry.siemens.com/cs/ww/en/view/109813875>

Information for data generation and storage

<https://support.industry.siemens.com/cs/ww/en/view/109995012>

Information- and Downloadcenter (Catalogs, Brochures,...)

<https://www.siemens.com/lowvoltage/catalogs>

Industry Mall (Online ordering system)

<https://mall.industry.siemens.com/mall/en/en/Catalog/product?mlfb=3KD9401-2>

Service&Support (Manuals, Certificates, Characteristics, FAQs,...)

<https://support.industry.siemens.com/cs/ww/en/ps/3KD9401-2>

Image database (product images, 2D dimension drawings, 3D models, device circuit diagrams, ...)

https://www.automation.siemens.com/bilddb/cax_en.aspx?mlfb=3KD9401-2

CAX-Online-Generator

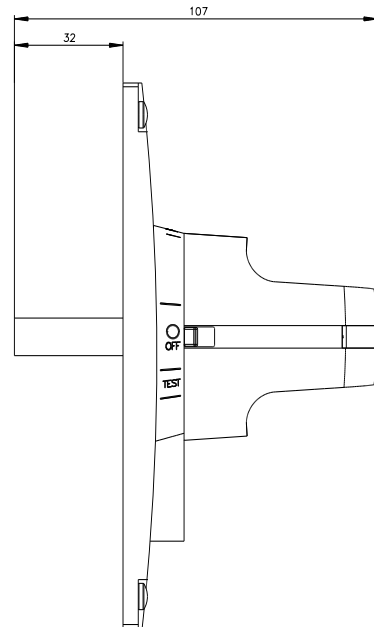
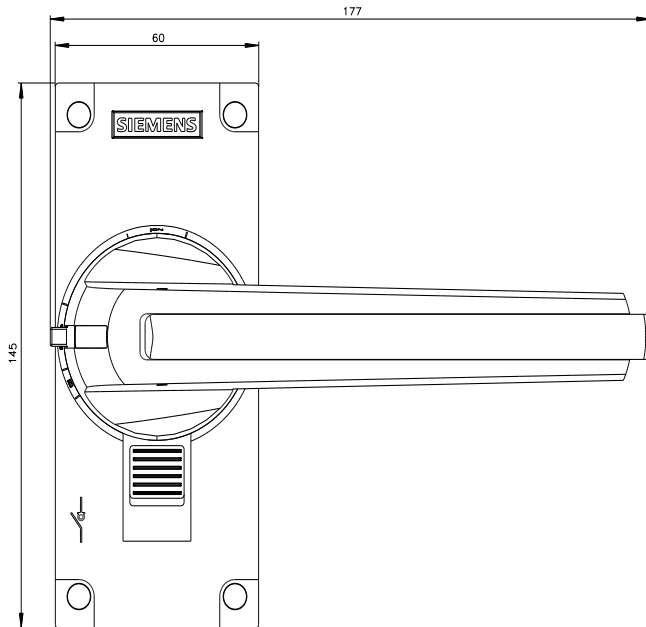
<https://www.siemens.com/cax>

Tender specifications

<https://www.siemens.com/specifications>

Characteristic curves

[https://curves.simaris.siemens.com/curves/<mmp_prod_noCOMP="HAUPT"></mmp_prod_no>](https://curves.simaris.siemens.com/curves/<mmp_prod_noCOMP=)



last modified:

4/3/2025 

