



Accessory for 3KD size 3 Direct operating mechanism, for front operating mechanism, red/yellow, Standard version can be locked in OFF position with three padlocks

Model	
product brand name	SENTRON
product designation	Accessories for switch disconnectors
design of the product	Direct operating mechanism
type of the driving mechanism	Manual operating mechanism
protection class IP on the front	IP30
Suitability	
suitability for use	For 3KD, size 3
Appearance	
color of the actuating element	Red/Yellow
Product details	
product feature interlock	Yes
product feature can be locked into OFF position	Yes
display version for switch position indicator	ON-OFF-TEST
Mechanical Design	
height	100 mm
width	116 mm
depth	77 mm
Net Weight	220 g

Approvals Certificates	
Environment	General Product Approval

[Environmental Conformations](#)

[Environmental Conformations](#)



[Miscellaneous](#)



[Confirmation](#)

General Product Approval	Test Certificates	Maritime application	other
--------------------------	-------------------	----------------------	-------



[Type Test Certificates/Test Report](#)



[Confirmation](#)



other
-------

[Miscellaneous](#)

## Further information

### Information on the packaging

<https://support.industry.siemens.com/cs/ww/en/view/109813875>

### Information for data generation and storage

<https://support.industry.siemens.com/cs/ww/en/view/109995012>

### Information- and Downloadcenter (Catalogs, Brochures,...)

<https://www.siemens.com/lowvoltage/catalogs>

### Industry Mall (Online ordering system)

<https://mall.industry.siemens.com/mall/en/en/Catalog/product?mlfb=3KD9301-2>

### Service&Support (Manuals, Certificates, Characteristics, FAQs,...)

<https://support.industry.siemens.com/cs/ww/en/ps/3KD9301-2>

### Image database (product images, 2D dimension drawings, 3D models, device circuit diagrams, ...)

[https://www.automation.siemens.com/bilddb/cax\\_en.aspx?mlfb=3KD9301-2](https://www.automation.siemens.com/bilddb/cax_en.aspx?mlfb=3KD9301-2)

### CAX-Online-Generator

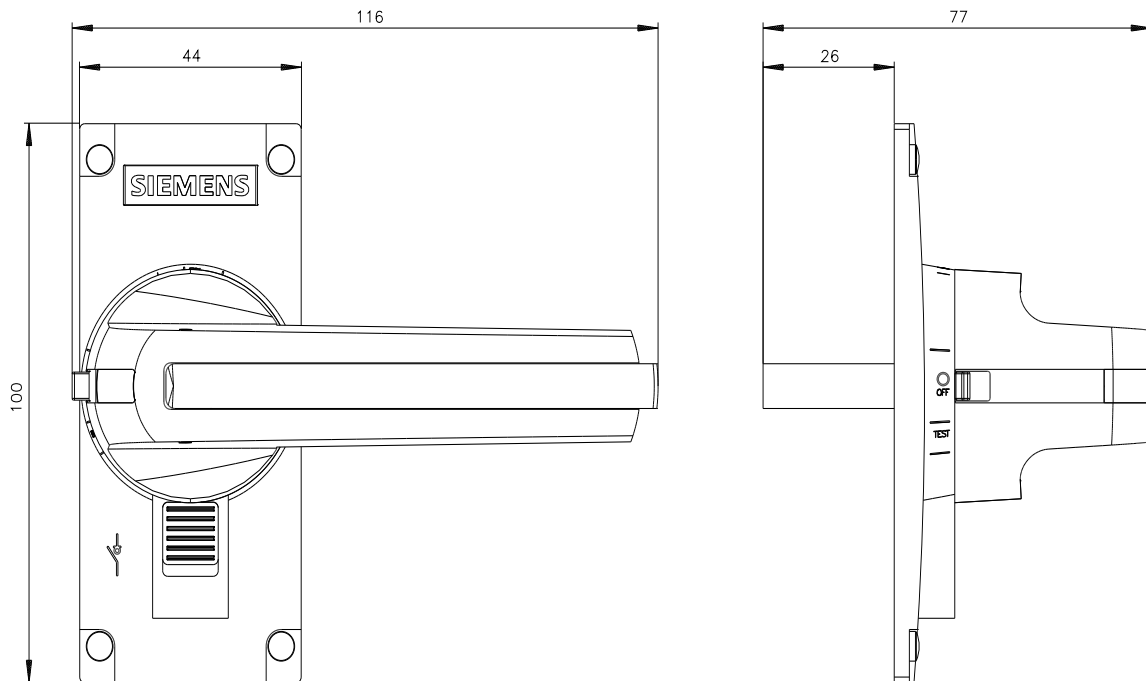
<https://www.siemens.com/cax>

### Tender specifications

<https://www.siemens.com/specifications>

### Characteristic curves

[https://curves.simaris.siemens.com/curves/<mmp\\_prod\\_noCOMP="HAUPT"></mmp\\_prod\\_no>](https://curves.simaris.siemens.com/curves/<mmp_prod_noCOMP=)



last modified:

4/3/2025 

