



Accessory for 3KD size 3 Direct operating mechanism, for front operating mechanism, grey, Standard version can be locked in OFF position with three padlocks

| Model | |
|---|--------------------------------------|
| product brand name | SETRON |
| product designation | Accessories for switch disconnectors |
| design of the product | Direct operating mechanism |
| type of the driving mechanism | Manual operating mechanism |
| protection class IP on the front | IP30 |
| Suitability | |
| suitability for use | For 3KD, size 3 |
| Appearance | |
| color of the actuating element | gray |
| Product details | |
| product feature interlock | Yes |
| product feature can be locked into OFF position | Yes |
| display version for switch position indicator | ON-OFF-TEST |
| Mechanical Design | |
| height | 100 mm |
| width | 116 mm |
| depth | 77 mm |
| Net Weight | 217 g |
| Approvals Certificates | |
| Environment | General Product Approval |

[Environmental Conformations](#)

[Environmental Conformations](#)



[Miscellaneous](#)



[Confirmation](#)

General Product Approval

Test Certificates

Maritime application

other



[Type Test Certificates/Test Report](#)



[Confirmation](#)



other

[Miscellaneous](#)

Further information

Information on the packaging

<https://support.industry.siemens.com/cs/ww/en/view/109813875>

Information for data generation and storage

<https://support.industry.siemens.com/cs/ww/en/view/109995012>

Information- and Downloadcenter (Catalogs, Brochures,...)

<https://www.siemens.com/lowvoltage/catalogs>

Industry Mall (Online ordering system)

<https://mall.industry.siemens.com/mall/en/en/Catalog/product?mlfb=3KD9301-1>

Service&Support (Manuals, Certificates, Characteristics, FAQs,...)

<https://support.industry.siemens.com/cs/ww/en/ps/3KD9301-1>

Image database (product images, 2D dimension drawings, 3D models, device circuit diagrams, ...)

https://www.automation.siemens.com/bilddb/cax_en.aspx?mlfb=3KD9301-1

CAX-Online-Generator

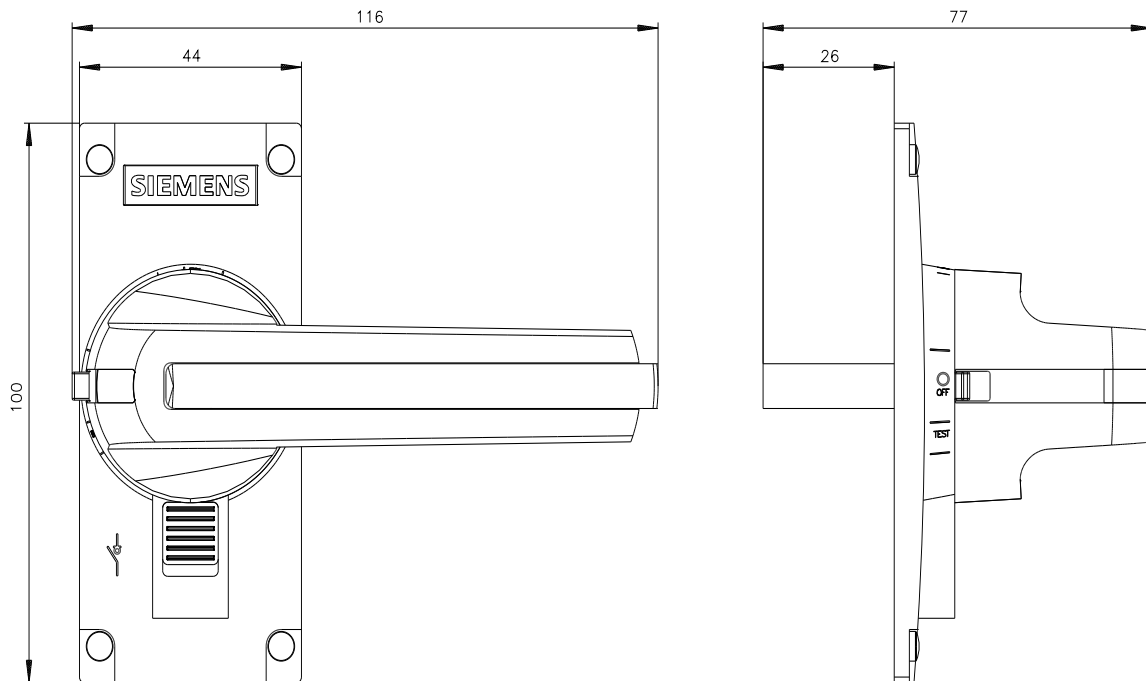
<https://www.siemens.com/cax>

Tender specifications

<https://www.siemens.com/specifications>

Characteristic curves

[https://curves.simaris.siemens.com/curves/<mmp_prod_noCOMP="HAUPT"></mmp_prod_no>](https://curves.simaris.siemens.com/curves/<mmp_prod_noCOMP=)



last modified:

4/3/2025 

