



AS-Interface mounting plate K45 for compact modules K45 for wall mounting for 2 flat cables AS-i cable (yellow) and AS-i cable 24 V (black)

product category	accessories digital I/O modules for operation in the field, IP67 - K45
design of the product	K45 mounting plate for wall mounting
protection class IP	IP67 with screw-mounted K45 compact module
Substance Prohibitance (day/month/year)	07/01/2006
Net Weight	0.026 kg

Connections/ Terminals

type of electrical connection	insulation piercing method for AS-Interface flat cable
-------------------------------	--

Approvals Certificates

Environment	General Product Approval	EMV	Maritime application
-------------	--------------------------	-----	----------------------

[Environmental Confirmations](#)



other

[Confirmation](#)



Further information

Siemens is working on the renewal of the current EAC certificates.

Please contact your local Siemens office on the status of validity of the EAC certification if you intend to import or offer to supply these products to an EAC relevant market (other than the sanctioned EAEU member states Russia or Belarus).

Siemens has decided to exit the Russian market (see here).

<https://press.siemens.com/global/en/pressrelease/siemens-wind-down-russian-business>

Information on the packaging

<https://support.industry.siemens.com/cs/ww/en/view/109813875>

Information for data generation and storage

<https://support.industry.siemens.com/cs/ww/en/view/109995012>

Information- and Downloadcenter (Catalogs, Brochures,...)

<https://www.siemens.com/ic10>

Industry Mall (Online ordering system)

<https://mall.industry.siemens.com/mall/en/en/Catalog/product?mlfb=3RK1901-2EA00>

Cax online generator

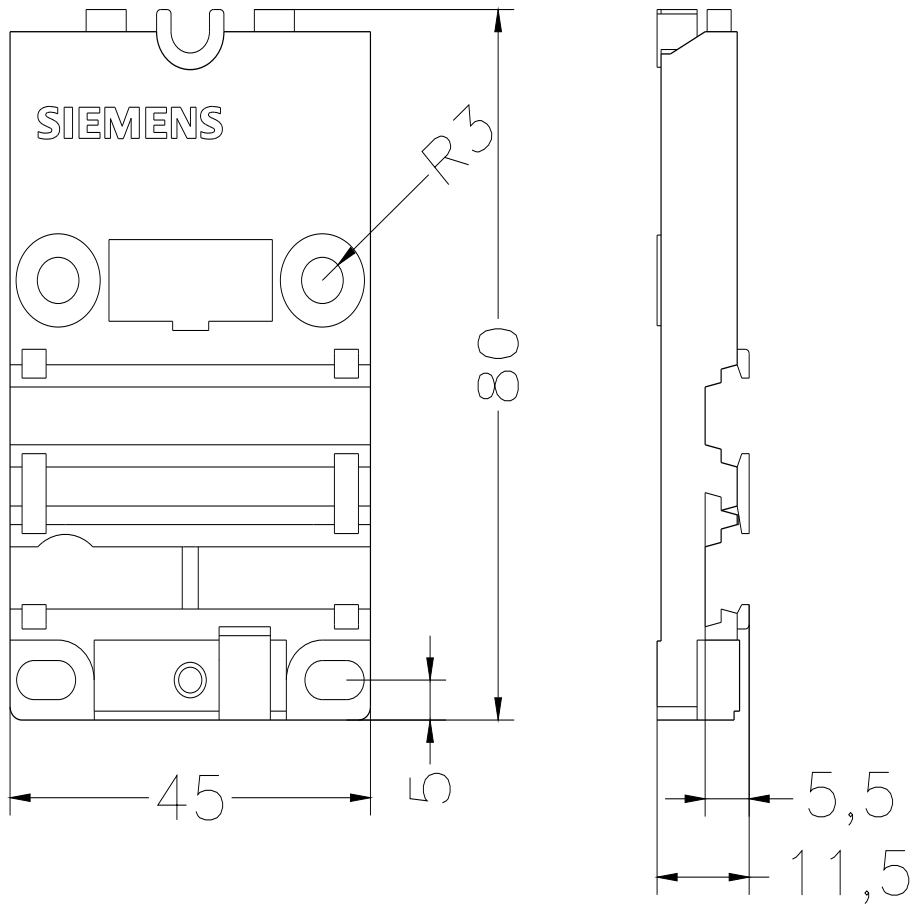
<https://support.automation.siemens.com/WW/CAXorder/default.aspx?lang=en&mlfb=3RK1901-2EA00>

Service&Support (Manuals, Certificates, Characteristics, FAQs,...)

<https://support.industry.siemens.com/cs/ww/en/ps/3RK1901-2EA00>

Image database (product images, 2D dimension drawings, 3D models, device circuit diagrams, EPLAN macros, ...)

https://www.automation.siemens.com/bilddb/cax_de.aspx?mlfb=3RK1901-2EA00&lang=en



last modified:

11/21/2025 